

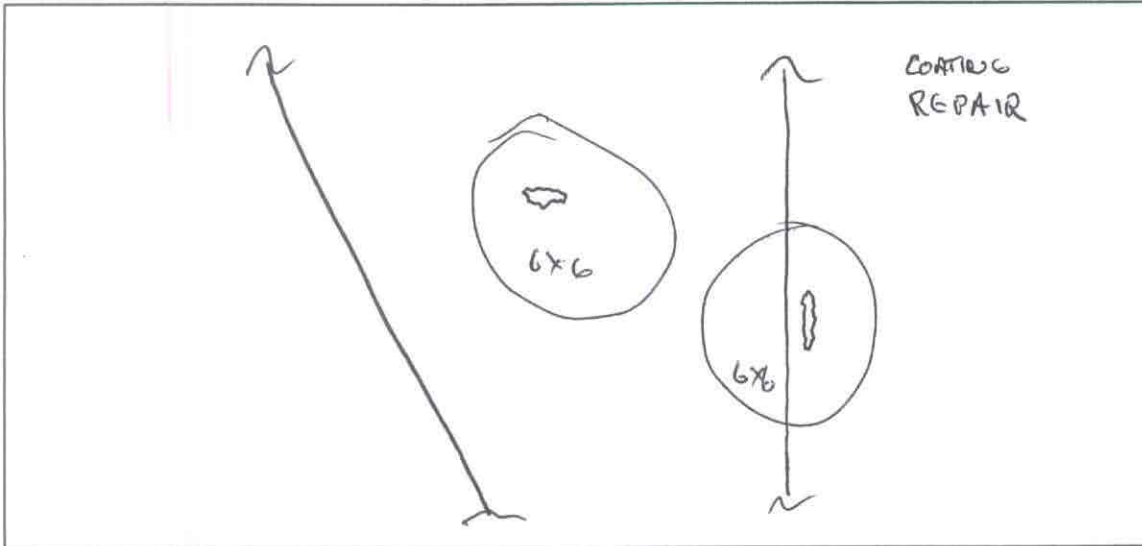
TYPE 9 REPAIR

MID ATLANTIC ENVIRONMENTAL	
EMERGENCY REPAIRS FOR RED HILL TANKS	
Tank #8 RECOMMENDED REPAIR DRAWING	
Repair No.: 014	File: 8r014
LOWER DOME	Quadrant: B
Course: 3	PLATE: 10
Drawn by: Tom Kitchen	Date: 5/4/98

**Dames & Moore**  
Emergency Repairs For Red Hill Tanks at the Fleet Industrial & Supply Center  
Contract No. N62742-96-C-1356

Repair Record

Tank No.: 8 Repair No.: ADD 014 Type: 8 Location: B10 - 3



Sketch of Repair Area

Weld Repair N/A

WPS No.: \_\_\_\_\_

Welder ID: \_\_\_\_\_

NDT Performed: Visual \_\_\_\_\_ Vacuum Box \_\_\_\_\_ Dye Penetrant \_\_\_\_\_

Rework Required: \_\_\_\_\_

Repair Acceptable: \_\_\_\_\_ Date Accepted: \_\_\_\_\_

Coating Repair

Coating Type: EPOXY

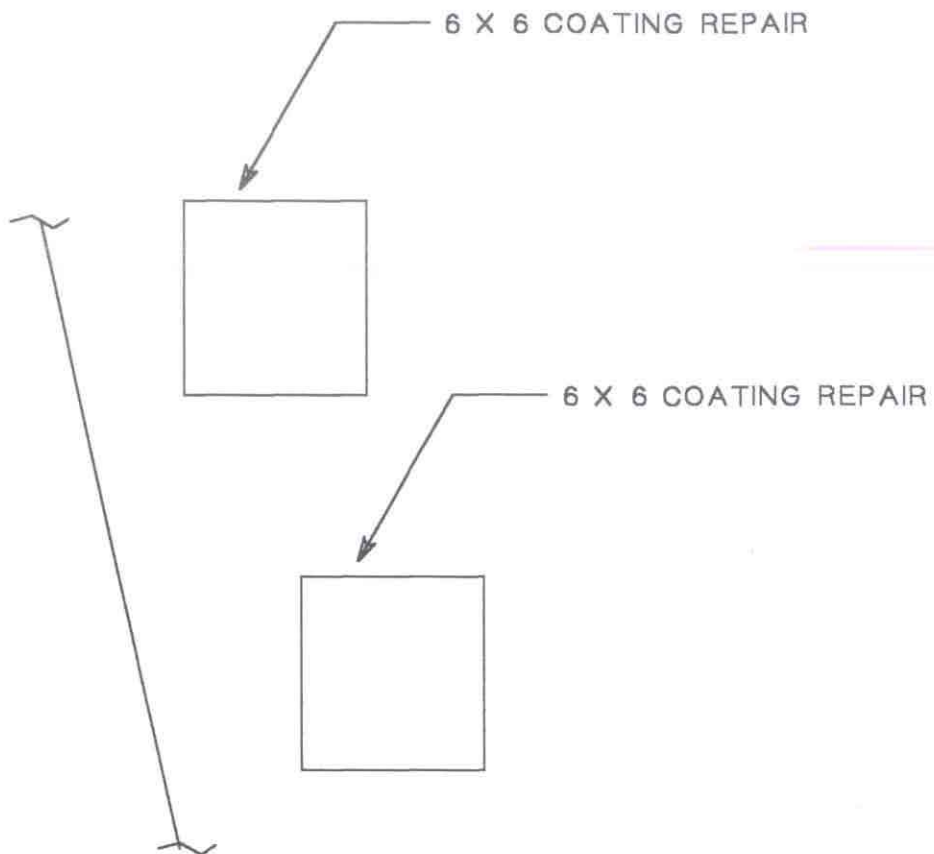
Surface Preparation:  Primer Coat:  Intermediate Coat:  Final Coat:

NDT Performed: Visual:  DFT:  Average DFT: 8-15 mils

Rework Required: N/A

Repair Acceptable: John Zedwell Date Accepted: 4-13-98

DEFECT INSPECTED BY TK & JF 3/16/98



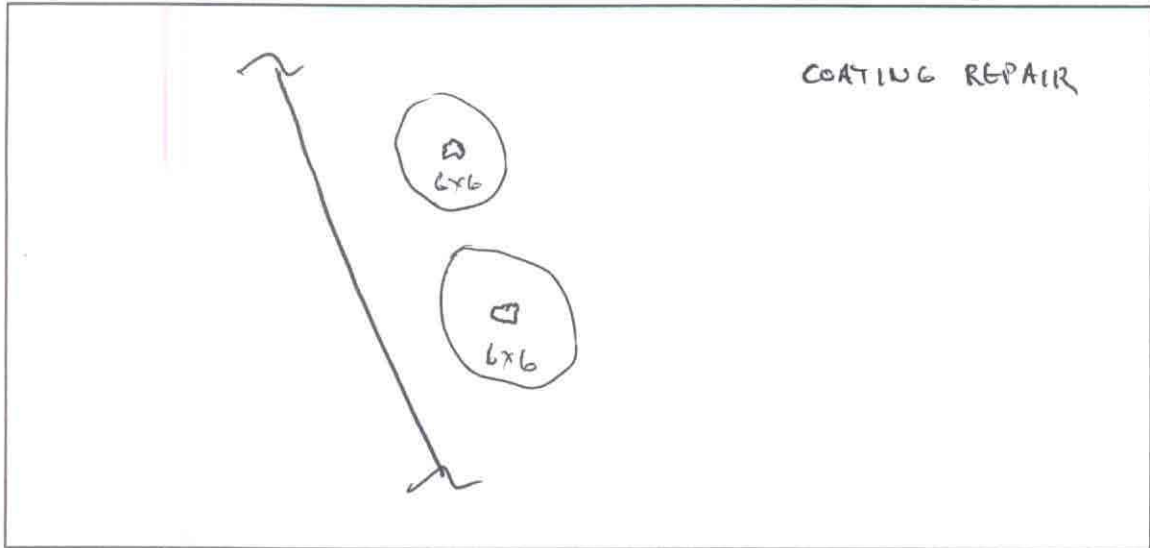
TYPE 8 REPAIR

MID ATLANTIC ENVIRONMENTAL	
EMERGENCY REPAIRS FOR RED HILL TANKS	
Tank #8 RECOMMENDED REPAIR DRAWING	
Repair No.: 015	File: 8r015
LOWER DOME	Quadrant: B
Course: 3	PLATE: 10
Drawn by: Tom Kitchen	Date: 5/4/98

**Dames & Moore**  
Emergency Repairs For Red Hill Tanks at the Fleet Industrial & Supply Center  
Contract No. N62742-96-C-1356

Repair Record

Tank No.: 8 Repair No.: ADD 015 Type: 8 Location: B10-3



Sketch of Repair Area

Weld Repair N/A

WPS No.: \_\_\_\_\_

Welder ID: \_\_\_\_\_

NDT Performed: Visual \_\_\_\_\_ Vacuum Box \_\_\_\_\_ Dye Penetrant \_\_\_\_\_

Rework Required: \_\_\_\_\_

Repair Acceptable: \_\_\_\_\_ Date Accepted: \_\_\_\_\_

Coating Repair

Coating Type: EPOXY

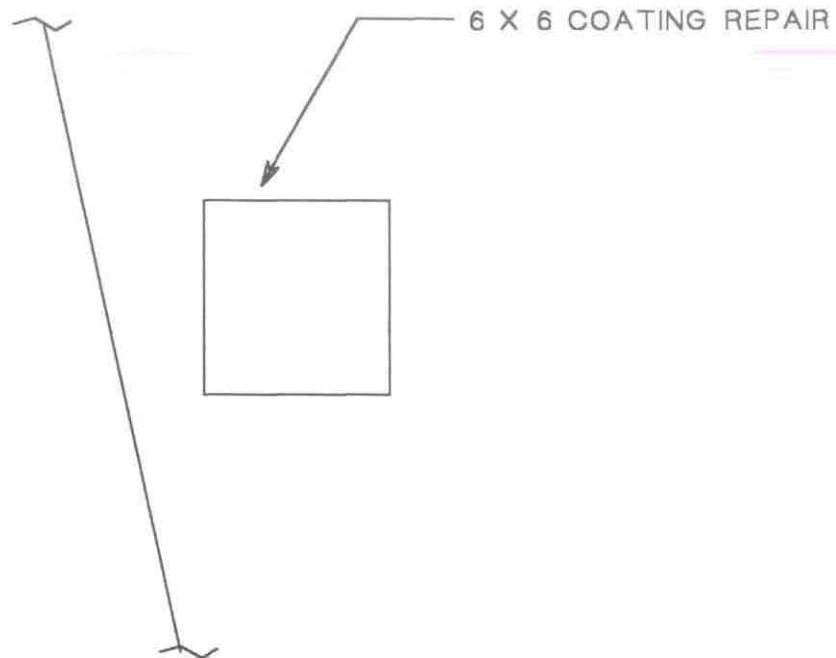
Surface Preparation:  Primer Coat:  Intermediate Coat:  Final Coat:

NDT Performed: Visual:  DFT:  Average DFT: 8-15 mils

Rework Required: N/A

Repair Acceptable: John Zebell Date Accepted: 4-13-98

DEFECT INSPECTED BY TK & JF 3/16/98



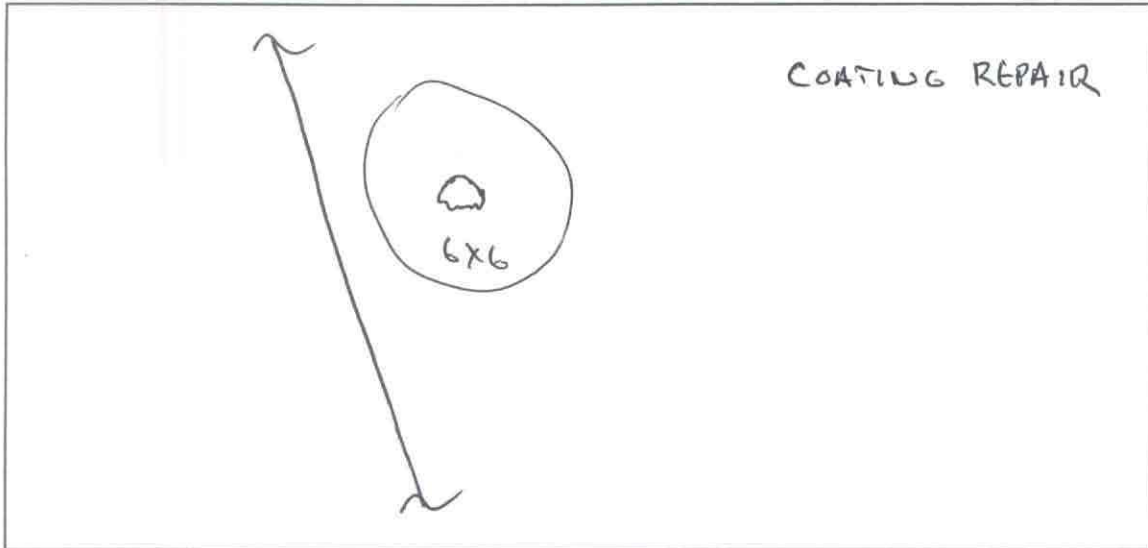
TYPE 8 REPAIR

MID ATLANTIC ENVIRONMENTAL	
EMERGENCY REPAIRS FOR RED HILL TANKS	
Tank #8 RECOMMENDED REPAIR DRAWING	
Repair No.: 016	File: 8r016
LOWER DOME	Quadrant: B
Course: 3	PLATE: 19
Drawn by: Tom Kitchen	Date: 5/4/98

**Dames & Moore**  
Emergency Repairs For Red Hill Tanks at the Fleet Industrial & Supply Center  
Contract No. N62742-96-C-1356

Repair Record

Tank No.: 8 Repair No.: ADP 016 Type: 8 Location: B9-3



Sketch of Repair Area

Weld Repair N/A

WPS No.: \_\_\_\_\_

Welder ID: \_\_\_\_\_

NDT Performed:                      Visual \_\_\_\_\_ Vacuum Box \_\_\_\_\_ Dye Penetrant \_\_\_\_\_

Rework Required: \_\_\_\_\_

Repair Acceptable: \_\_\_\_\_ Date Accepted: \_\_\_\_\_

Coating Repair

Coating Type: EPOXY

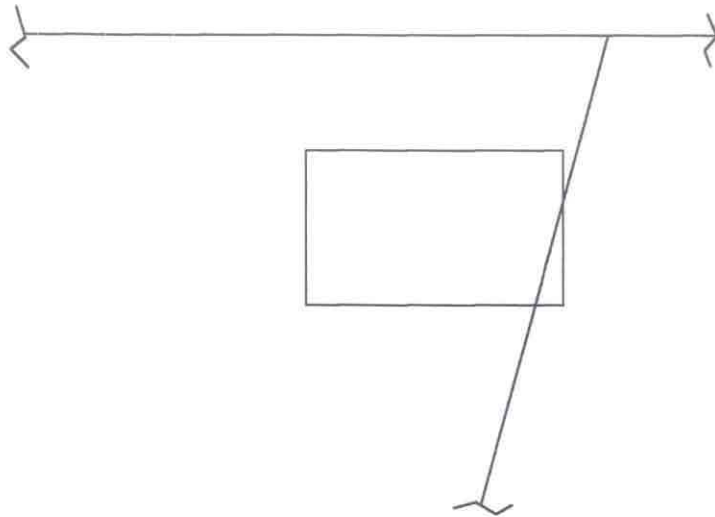
Surface Preparation:  Primer Coat:  Intermediate Coat:  Final Coat:

NDT Performed:                      Visual:  DFT:  Average DFT: 8-15 mils

Rework Required: N/A

Repair Acceptable: John Zehrell Date Accepted: 4-13-98

6 X 8 COATING REPAIR



TYPE 8 REPAIR

MID ATLANTIC ENVIRONMENTAL	
EMERGENCY REPAIRS FOR RED HILL TANKS	
Tank #8 RECOMMENDED REPAIR DRAWING	
Repair No.: 017	File: 8r017
LOWER DOME	Quadrant: B
Course: 3	PLATE: 8
Drawn by: Tom Kitchen	Date: 5/4/98

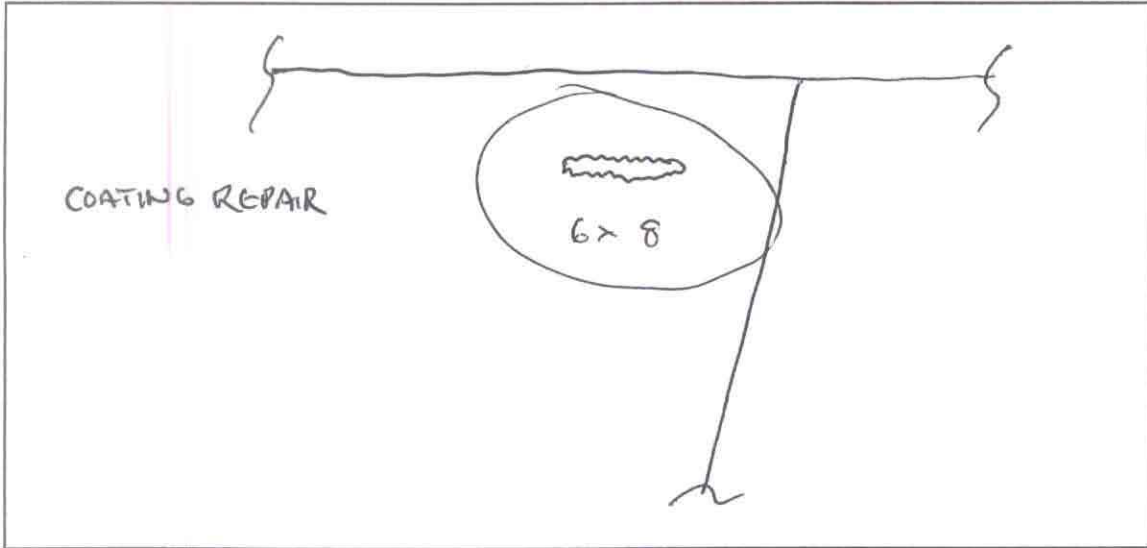


**Dames & Moore**

Emergency Repairs For Red Hill Tanks at the Fleet Industrial & Supply Center  
Contract No. N62742-96-C-1356

**Repair Record**

Tank No.: 8 Repair No.: ADD 017 Type: 8 Location: 88-3



Sketch of Repair Area

Weld Repair N/A

WPS No.: \_\_\_\_\_

Welder ID: \_\_\_\_\_

NDT Performed: Visual \_\_\_\_\_ Vacuum Box \_\_\_\_\_ Dye Penetrant \_\_\_\_\_

Rework Required: \_\_\_\_\_

Repair Acceptable: \_\_\_\_\_ Date Accepted: \_\_\_\_\_

Coating Repair

Coating Type: EPOXY

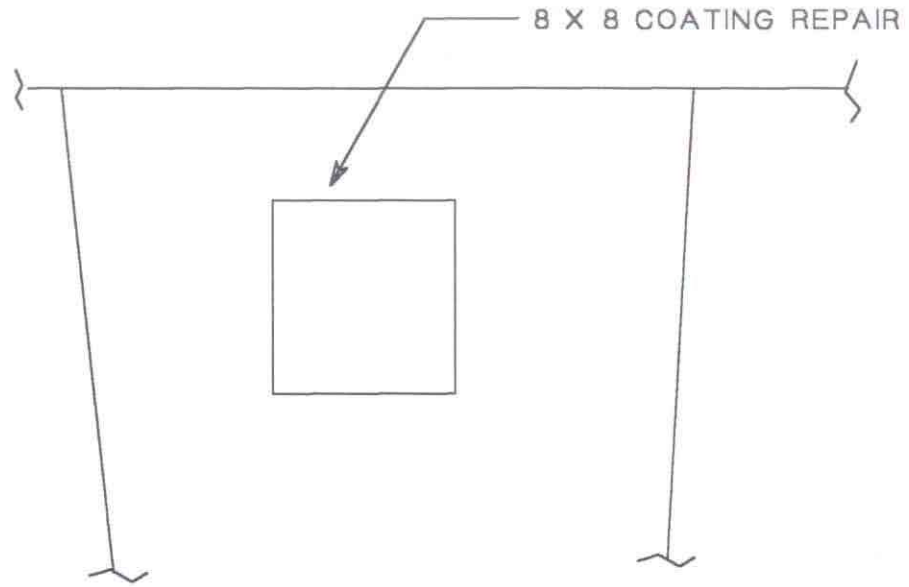
Surface Preparation:  Primer Coat:  Intermediate Coat:  Final Coat:

NDT Performed: Visual:  DFT:  Average DFT: 8-15 mils

Rework Required: N/A

Repair Acceptable: John Zicknell Date Accepted: 4-13-98

DEFECT INSPECTED BY TK & JF 3/16/98



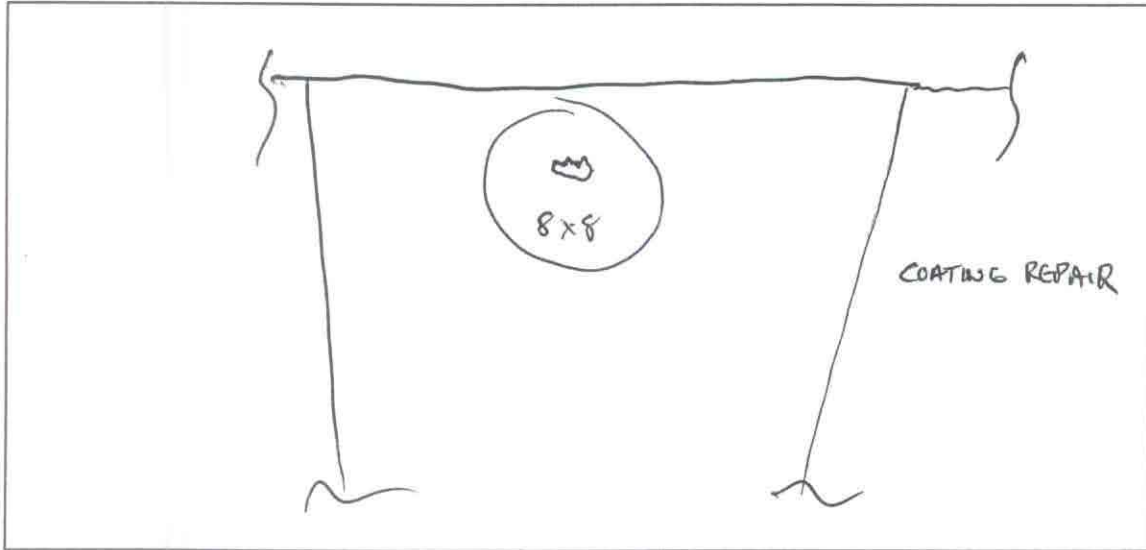
TYPE 8 REPAIR

MID ATLANTIC ENVIRONMENTAL	
EMERGENCY REPAIRS FOR RED HILL TANKS	
Tank #8 RECOMMENDED REPAIR DRAWING	
Repair No.: 018	File: 8r018
LOWER DOME	Quadrant: B
Course: 2	PLATE: 10
Drawn by: Tom Kitchen	Date: 5/4/98

**Dames & Moore**  
Emergency Repairs For Red Hill Tanks at the Fleet Industrial & Supply Center  
Contract No. N62742-96-C-1356

Repair Record

Tank No.: 8 Repair No.: ADD 018 Type: 8 Location: B10-2



Sketch of Repair Area

Weld Repair N/A

WPS No.: \_\_\_\_\_

Welder ID: \_\_\_\_\_

NDT Performed: Visual \_\_\_\_\_ Vacuum Box \_\_\_\_\_ Dye Penetrant \_\_\_\_\_

Rework Required: \_\_\_\_\_

Repair Acceptable: \_\_\_\_\_ Date Accepted: \_\_\_\_\_

Coating Repair

Coating Type: EPOXY

Surface Preparation:  Primer Coat:  Intermediate Coat:  Final Coat:

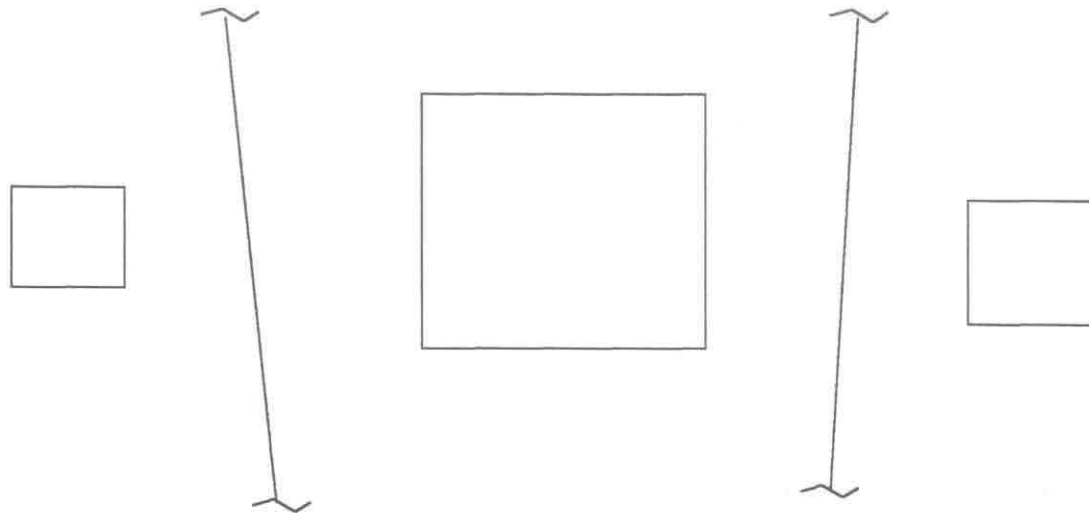
NDT Performed: Visual:  DFT:  Average DFT: 15-22 mils

Rework Required: N/A

Repair Acceptable: John Zehnell Date Accepted: 4-13-98

DEFECT INSPECTED BY TK & JF 3/16/98

SCATTERED BLISTERS APPROXIMATE AREA OF COATING  
REPAIR EQUAL 2 SQUARE METERS



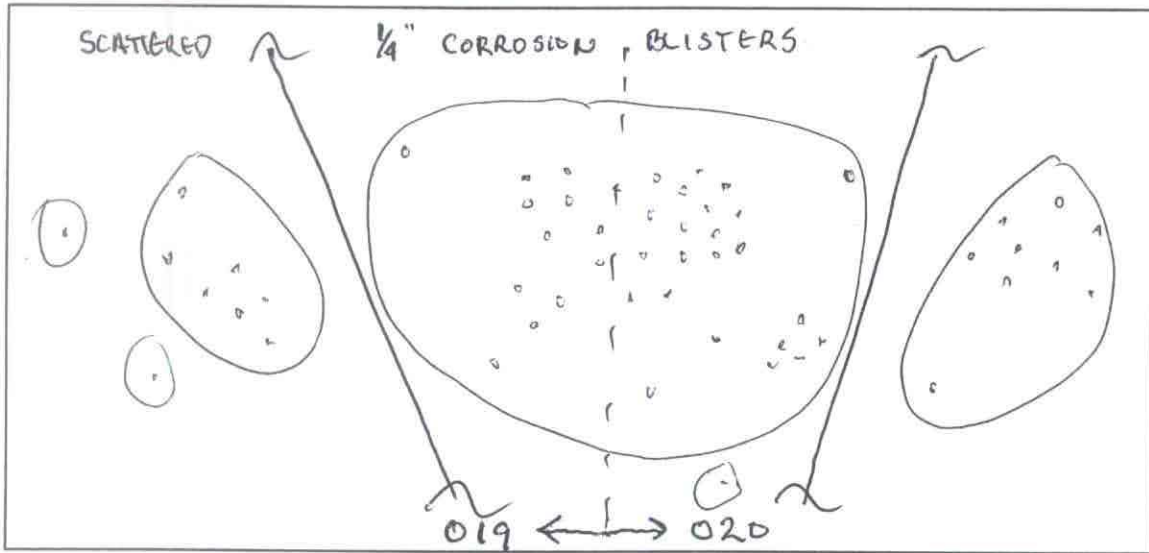
TYPE 8 REPAIR

MID ATLANTIC ENVIRONMENTAL	
EMERGENCY REPAIRS FOR RED HILL TANKS	
Tank #8 RECOMMENDED REPAIR DRAWING	
Repair No.: 019 & 020	File: 8r019
LOWER DOME	Quadrant: B
Course: 2	PLATE: 11
Drawn by: Tom Kitchen	Date: 5/4/98

**Dames & Moore**  
Emergency Repairs For Red Hill Tanks at the Fleet Industrial & Supply Center  
Contract No. N62742-96-C-1356

Repair Record

Tank No.: 8 Repair No.: ADD 019 Type: 8 Location: B11-2  
~~019~~



Sketch of Repair Area

Weld Repair N/A

WPS No.: \_\_\_\_\_

Welder ID: \_\_\_\_\_

NDT Performed: Visual \_\_\_\_\_ Vacuum Box \_\_\_\_\_ Dye Penetrant \_\_\_\_\_

Rework Required: \_\_\_\_\_

Repair Acceptable: \_\_\_\_\_ Date Accepted: \_\_\_\_\_

Coating Repair

Coating Type: EPOXY

Surface Preparation:  Primer Coat:  Intermediate Coat:  Final Coat:

NDT Performed: Visual:  DFT:  Average DFT: 15.72 mils

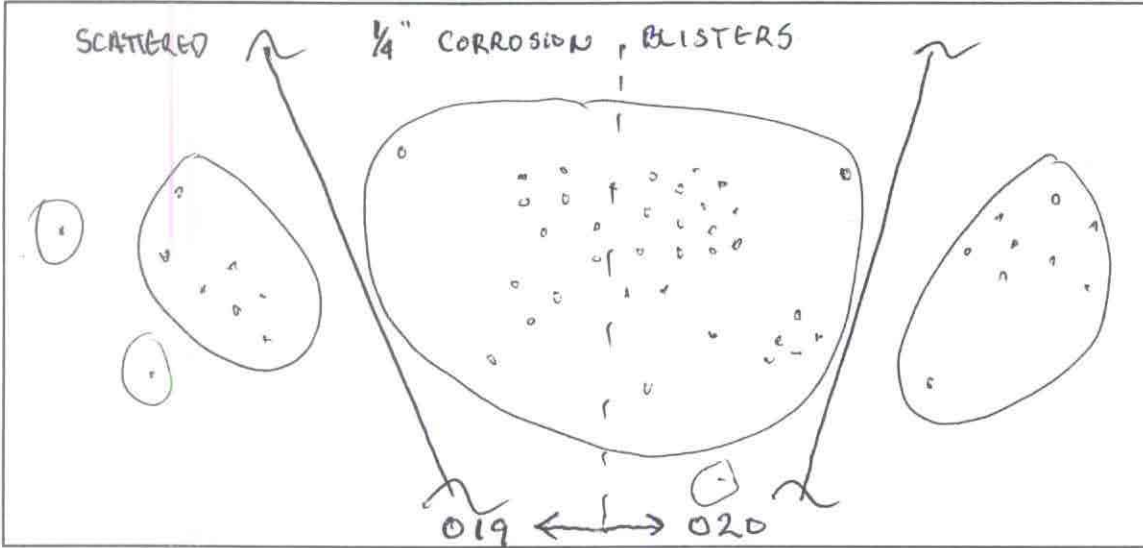
Rework Required: N/A

Repair Acceptable: John Zahrell Date Accepted: 4-13-98

**Dames & Moore**  
Emergency Repairs For Red Hill Tanks at the Fleet Industrial & Supply Center  
Contract No. N62742-96-C-1356

Repair Record

Tank No.: 8 Repair No.: ADD 019 Type: 8 Location: B11-2  
~~019~~



Sketch of Repair Area

Weld Repair N/A

WPS No.: \_\_\_\_\_

Welder ID: \_\_\_\_\_

NDT Performed: Visual \_\_\_\_\_ Vacuum Box \_\_\_\_\_ Dye Penetrant \_\_\_\_\_

Rework Required: \_\_\_\_\_

Repair Acceptable: \_\_\_\_\_ Date Accepted: \_\_\_\_\_

Coating Repair

Coating Type: EPOXY

Surface Preparation:  Primer Coat:  Intermediate Coat:  Final Coat:

NDT Performed: Visual:  DFT:  Average DFT: 15.22 mils

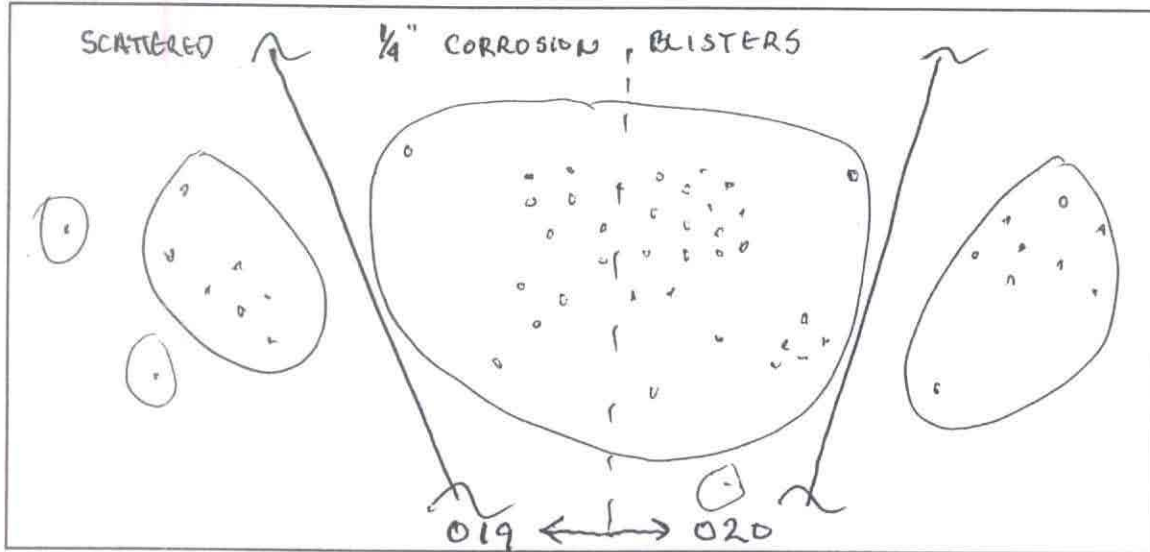
Rework Required: N/A

Repair Acceptable: John Zabrall Date Accepted: 4-13-98

**Dames & Moore**  
Emergency Repairs For Red Hill Tanks at the Fleet Industrial & Supply Center  
Contract No. N62742-96-C-1356

Repair Record

Tank No.: 8 Repair No.: ~~020~~ <sup>ADD</sup> 020 Type: 8 Location: B11-2



Sketch of Repair Area

Weld Repair N/A

WPS No.: \_\_\_\_\_

Welder ID: \_\_\_\_\_

NDT Performed: Visual \_\_\_\_\_ Vacuum Box \_\_\_\_\_ Dye Penetrant \_\_\_\_\_

Rework Required: \_\_\_\_\_

Repair Acceptable: \_\_\_\_\_ Date Accepted: \_\_\_\_\_

Coating Repair

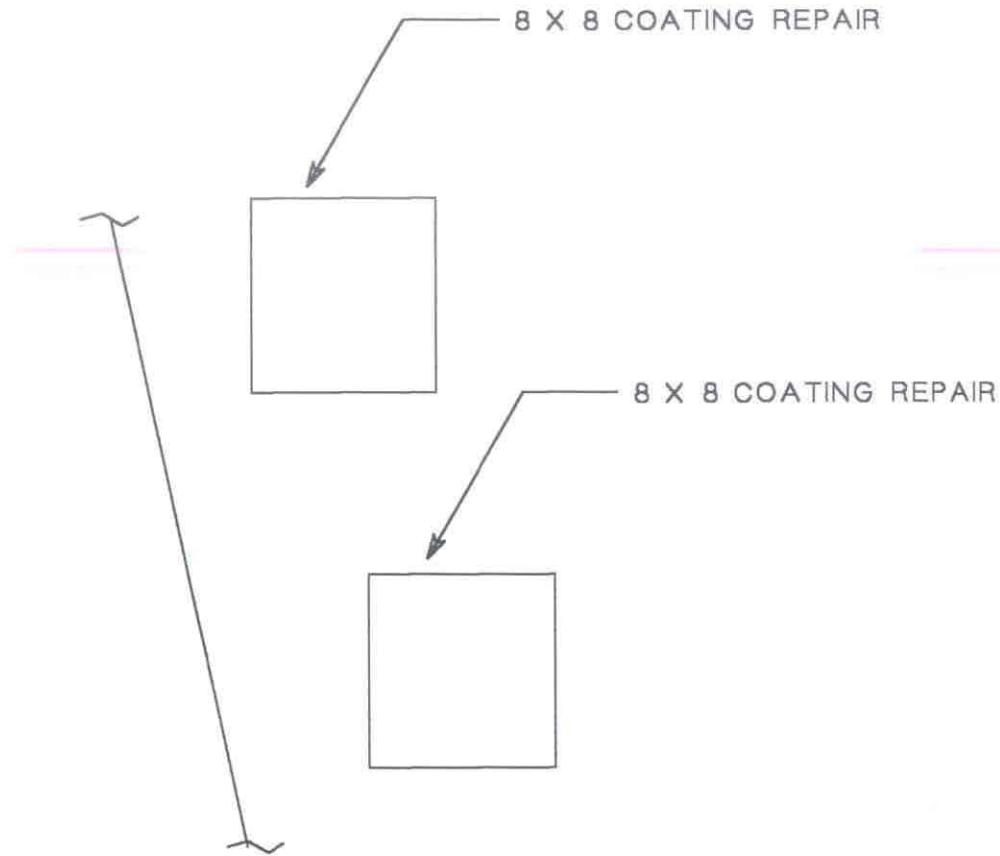
Coating Type: EPOXY

Surface Preparation:  Primer Coat:  Intermediate Coat:  Final Coat:

NDT Performed: Visual:  DFT:  Average DFT: 15-22 mils

Rework Required: N/A

Repair Acceptable: John Zehrell Date Accepted: 4-13-98



TYPE 8 REPAIR

MID ATLANTIC ENVIRONMENTAL	
EMERGENCY REPAIRS FOR RED HILL TANKS	
Tank #8 RECOMMENDED REPAIR DRAWING	
Repair No.: 021	File: 8r021
LOWER DOME	Quadrant: A
Course: 2	PLATE: 2
Drawn by: Tom Kitchen	Date: 5/4/98

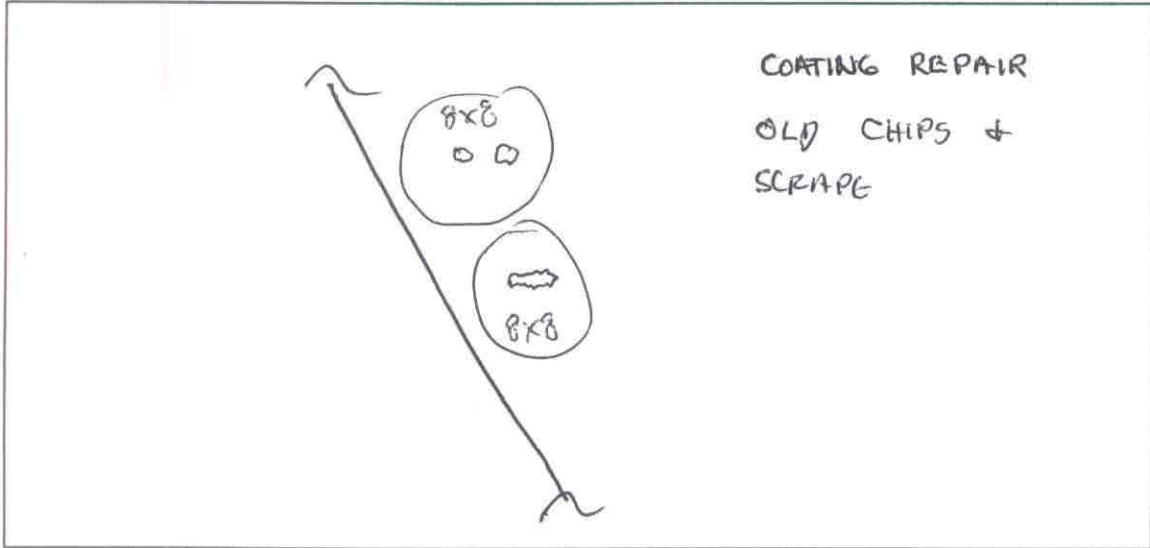


**Dames & Moore**  
Emergency Repairs For Red Hill Tanks at the Fleet Industrial & Supply Center  
Contract No. N62742-96-C-1356

Repair Record

ADD

Tank No.: 8 Repair No.: 021 Type: 8 Location: A2-2



Sketch of Repair Area

Weld Repair N/A

WPS No.: \_\_\_\_\_

Welder ID: \_\_\_\_\_

NDT Performed: Visual \_\_\_\_\_ Vacuum Box \_\_\_\_\_ Dye Penetrant \_\_\_\_\_

Rework Required: \_\_\_\_\_

Repair Acceptable: \_\_\_\_\_ Date Accepted: \_\_\_\_\_

Coating Repair

Coating Type: EPOXY

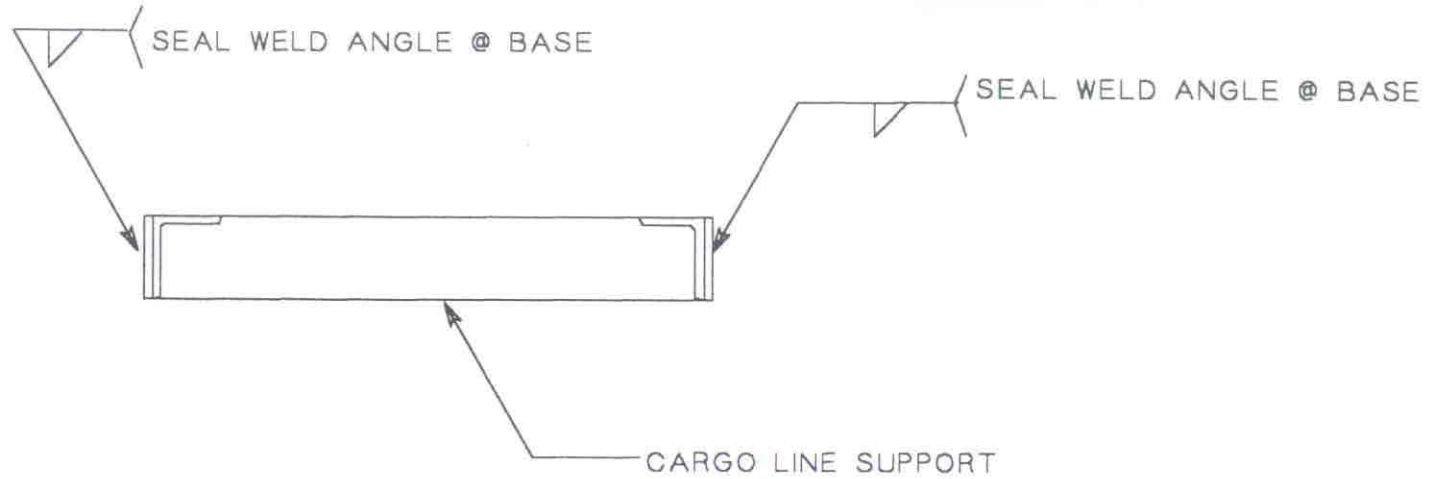
Surface Preparation:  Primer Coat:  Intermediate Coat:  Final Coat:

NDT Performed: Visual:  DFT:  Average DFT: 15-22 mils

Rework Required: N/A

Repair Acceptable: John Zickell Date Accepted: 4-13-98

DEFECT INSPECTED BY TK & JF 7/1/98



TYPE 10 REPAIR

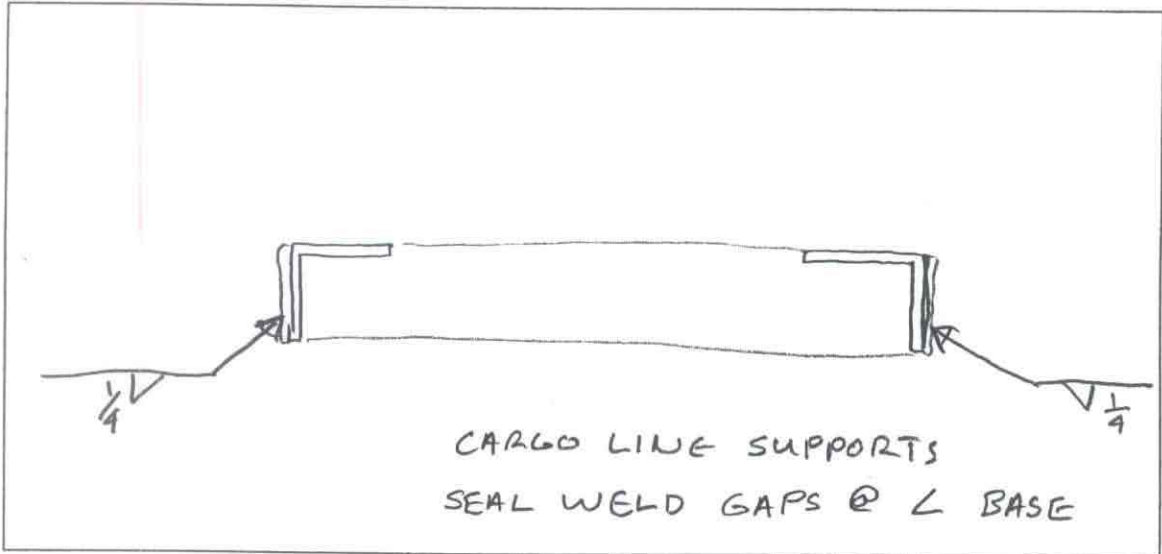
MID ATLANTIC ENVIRONMENTAL	
EMERGENCY REPAIRS FOR RED HILL TANKS	
Tank #8 RECOMMENDED REPAIR DRAWING	
Repair No.: 022	File: 8r022
LOWER DOME	Quadrant: B
Course: 1	PLATE: 12
Drawn by: Tom Kitchen	Date: 7/1/98

**Dames & Moore**

Emergency Repairs For Red Hill Tanks at the Fleet Industrial & Supply Center  
Contract No. N62742-96-C-1356

**Repair Record**

Tank No.: 8 Repair No.: 022 Type: 10 Location: B-12-1



Sketch of Repair Area

Weld Repair

WPS No.: SM1.1-1

Welder ID: John Walsh

NDT Performed: Visual  Vacuum Box  Dye Penetrant

Rework Required: \_\_\_\_\_

Repair Acceptable: John Barkell

Date Accepted: 7-14-98

Coating Repair N/A

Coating Type: \_\_\_\_\_

Surface Preparation: \_\_\_\_\_ Primer Coat: \_\_\_\_\_ Intermediate Coat: \_\_\_\_\_ Final Coat: \_\_\_\_\_

NDT Performed: Visual: \_\_\_\_\_ DFT: \_\_\_\_\_ Average DFT: \_\_\_\_\_

Rework Required: \_\_\_\_\_

Repair Acceptable: \_\_\_\_\_

Date Accepted: \_\_\_\_\_

**Section 10**

**AS-BUILT DRAWINGS**

**Section 11**

**Pictures**

**PICTURES OF PITTING AT BOTTOM OF TANK**



**Section 12**

**CONTRACT DRAWINGS**