

CALENDER OF EVENTS		
EVENT	BY	DATE
Defect Inspected	TK & JF	2/19/98

Needlegun and recoat

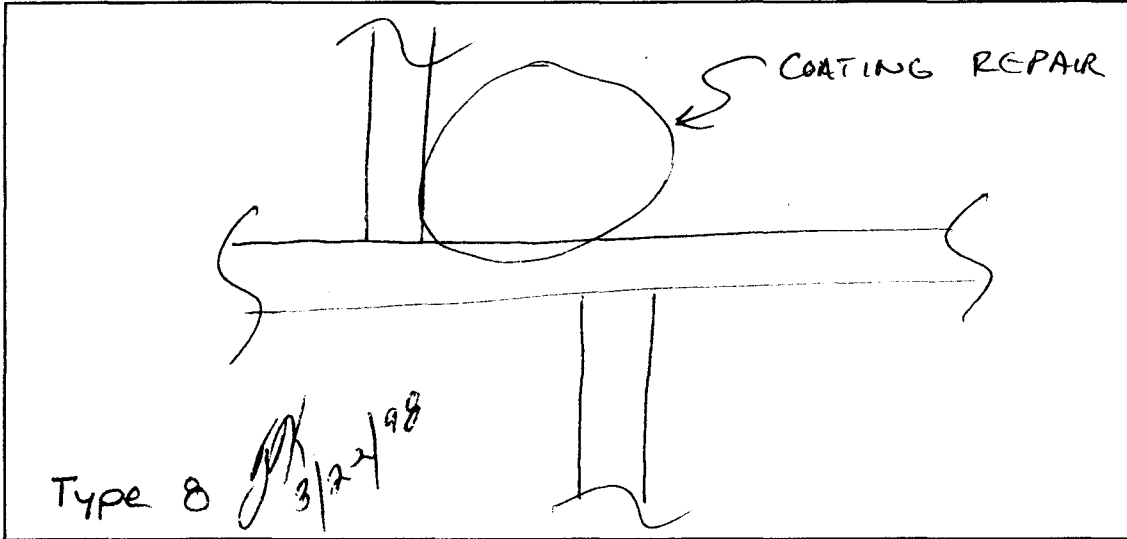
Repair Type 8

LTR	DESCRIPTION	BY	DATE
REVISIONS			
MID ATLANTIC ENVIRONMENTAL			
EMERGENCY REPAIRS FOR RED HILL TANKS			
Tank #10			
Repair No. 090	File:10r090		
Upper dome	Quadrant: A		
Course: B & C	Plate: 1 & 2		
Drawn by: M. Moulton	Date: 12/20/97		

Dames & Moore
Emergency Repairs For Red Hill Tanks at the Fleet Industrial & Supply Center
Contract No. N62742-96-C-1356

Repair Record

Tank No.: 10 Repair No.: 090 Type: 8 Location: A



Sketch of Repair Area

Weld Repair N/A

WPS No.: SM1.1-1

Welder ID: John Walsh

NDT Performed: Visual Vacuum Box Dye Penetrant

Rework Required: _____

Repair Acceptable: _____ Date Accepted: _____

Coating Repair

Coating Type: Epoxy

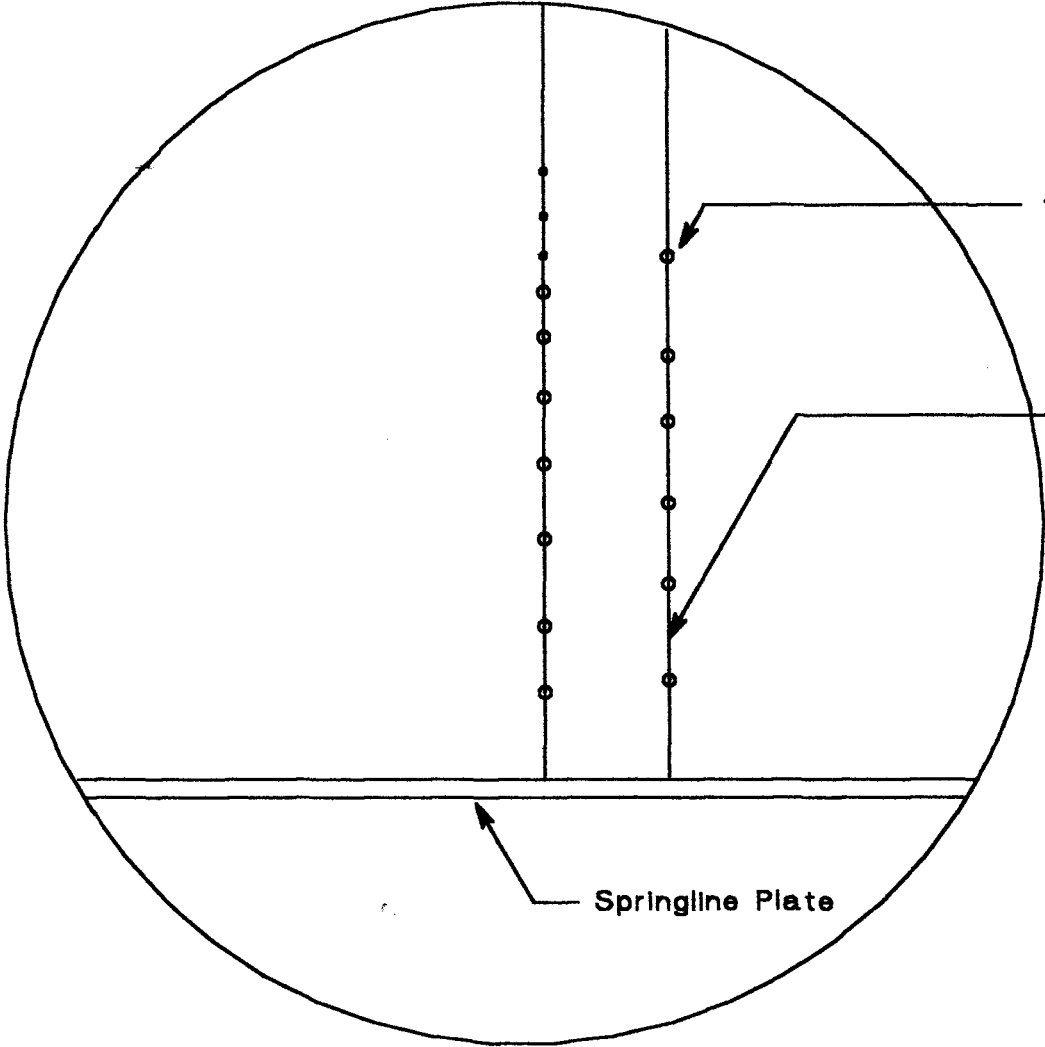
Surface Preparation: Primer Coat: Intermediate Coat: Final Coat:

NDT Performed: Visual: DFT: Average DFT: 8 mils - 15 mils

Rework Required: N/A

Repair Acceptable: John Zedwell Date Accepted: 3-13-98

CALENDER OF EVENTS		
EVENT	BY	DATE
Defect Inspected	TK & JF	2/19/98



16 Porosetuo in weld

1/4 80°
1/4 80° SM 1.1-1

Springline Plate

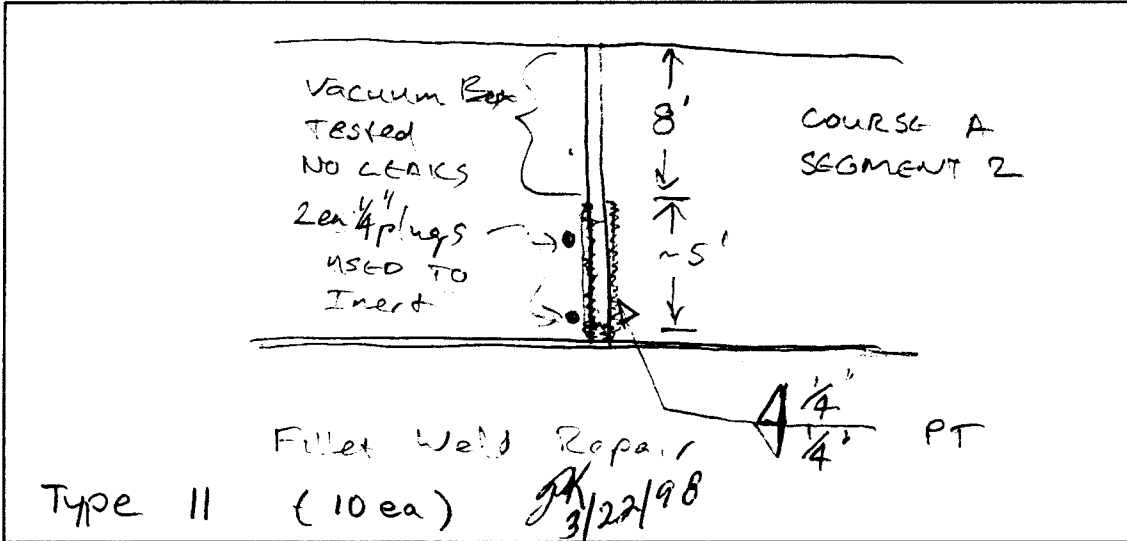
REPAIR TYPE 11

LTR	DESCRIPTION	BY	DATE
REVISIONS			
MID ATLANTIC ENVIRONMENTAL			
EMERGENCY REPAIRS FOR RED HILL TANKS			
Tank #10			
Repair No. : 100	File:10r100		
Upper dome	Quadrant: A		
Course: A	Plate: 1 & 2		
Drawn by: M. Moulton	Date: 12/20/97		

Dames & Moore
Emergency Repairs For Red Hill Tanks at the Fleet Industrial & Supply Center
Contract No. N62742-96-C-1356

Repair Record

Tank No.: 10 Repair No.: 100 Type: 11 Location: A-2-UD-A



Sketch of Repair Area

Weld Repair

WPS No.: SM 1.1-1

Welder ID: J. Walsh

NDT Performed: Visual Vacuum Box Dye Penetrant

Rework Required: NONE

Repair Acceptable: John Zachell

Date Accepted: 2/26/98

Coating Repair

Coating Type: Epoxy

Surface Preparation: Primer Coat: Intermediate Coat: Final Coat:

NDT Performed: Visual: DFT: Average DFT: 8 mils - 15 mils

Rework Required: N/A

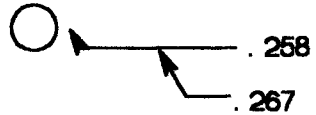
Repair Acceptable: John Zachell

Date Accepted: 3-13-98

CALENDER OF EVENTS		
EVENT	BY	DATE
Defect Inspected	TK & JF	2/19/98

0.199

.188



.253

Repair Type 7

LTR	DESCRIPTION	BY	DATE
REVISIONS			
MID ATLANTIC ENVIRONMENTAL			
EMERGENCY REPAIRS FOR RED HILL TANKS			
Tank #10			
Repair No. 110	File 10r110		
Upper dome	Quadrant A		
Course A	Plate 2		
Drawn by M. Moulton	Date 12/20/97		

DENT OCCURED BEFORE PAINTING. COATING REPAIR NOT REQUIRED

Dames & Moore
Emergency Repairs For Red Hill Tanks at the Fleet Industrial & Supply Center
Contract No. N62742-96-C-1356

Repair Record

Tank No.: 10 Repair No.: 110 Type: 7 Location: A

PERFORMED UT INSPECTION
NO ADDITIONAL REPAIRS REQUIRED
PER T. KITCHEN

Type N/A *JOK 3/27/98*

Sketch of Repair Area

Weld Repair N/A

WPS No.: SM1.1-1

Welder ID: John Walsh

NDT Performed: Visual Vacuum Box Dye Penetrant

Rework Required: _____

Repair Acceptable: _____ Date Accepted: _____

Coating Repair N/A

Coating Type: Epoxy

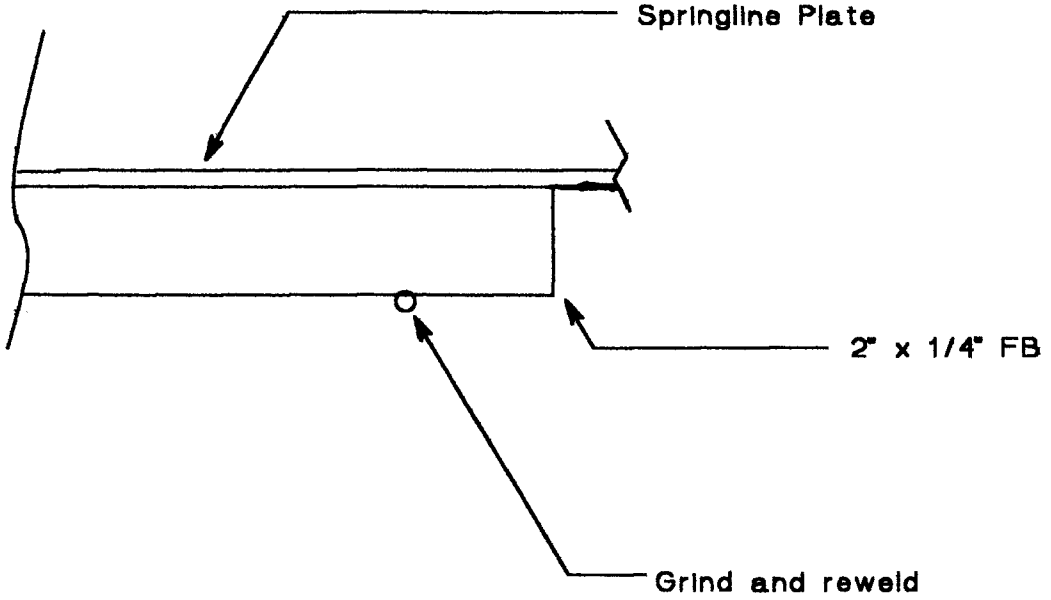
Surface Preparation: _____ Primer Coat: _____ Intermediate Coat: _____ Final Coat: _____

NDT Performed: Visual: DFT: _____ Average DFT: _____

Rework Required: _____

Repair Acceptable: _____ Date Accepted: _____

CALENDER OF EVENTS		
EVENT	BY	DATE
Defect Inspected	TK & JF	2/19/98



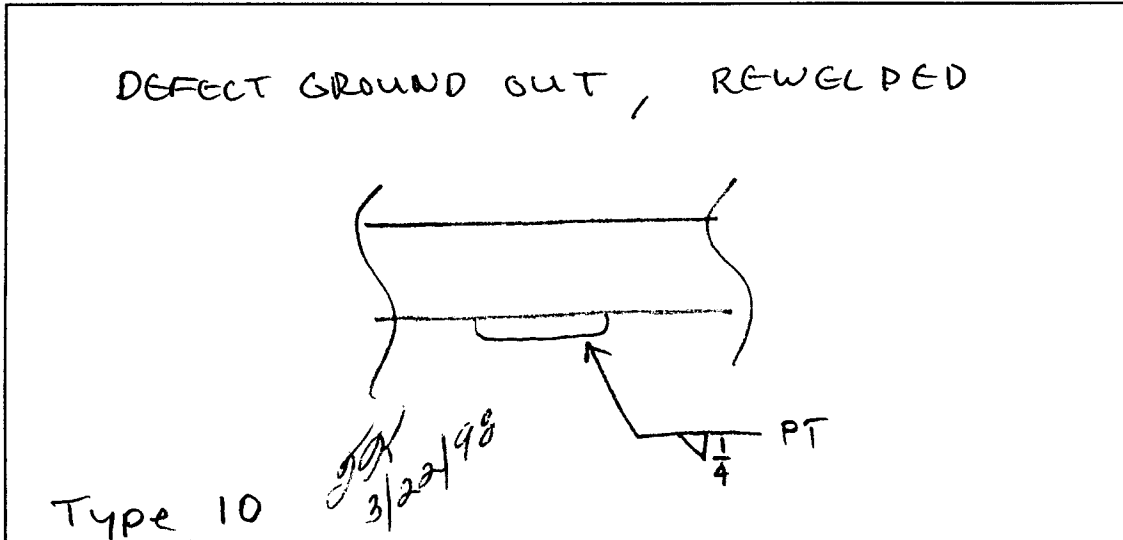
Repair Type 10

O I	ORIGINAL ISSUE	M M	2/20/98
LTR	DESCRIPTION	BY	DATE
REVISIONS			
MID ATLANTIC ENVIRONMENTAL			
EMERGENCY REPAIRS FOR RED HILL TANKS			
Tank #10			
Repair No.: 120		File: 10r120	
Upper dome		Quadrant: A	
Course: A		Plate: 3	
Drawn By: M. Moulton		Date: 2/20/98	

Dames & Moore
Emergency Repairs For Red Hill Tanks at the Fleet Industrial & Supply Center
Contract No. N62742-96-C-1356

Repair Record

Tank No.: 10 Repair No.: 120 Type: 3 Location: A



Sketch of Repair Area

Weld Repair

WPS No.: SM1.1-1

Welder ID: John Walsh

NDT Performed: Visual Vacuum Box Dye Penetrant

Rework Required: N/A

Repair Acceptable: John Zschell Date Accepted: 2-24-98

Coating Repair

Coating Type: Epoxy

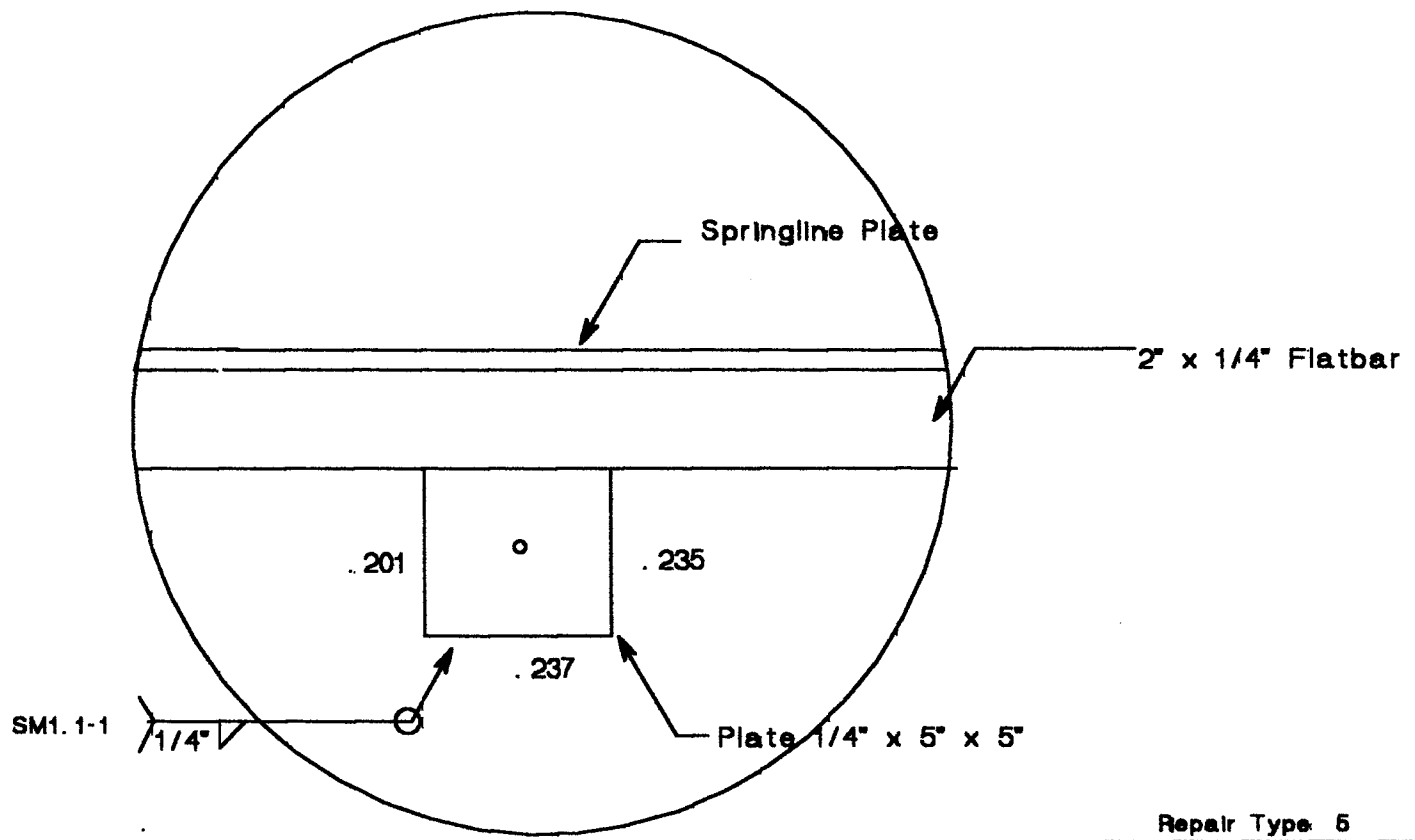
Surface Preparation: Primer Coat: Intermediate Coat: Final Coat:

NDT Performed: Visual: DFT: Average DFT: 8 mils = 15 mils

Rework Required: N/A

Repair Acceptable: John Zschell Date Accepted: 3-13-98

CALENDER OF EVENTS		
EVENT	BY	DATE
Defect Inspected	TK & JF	2/19/98



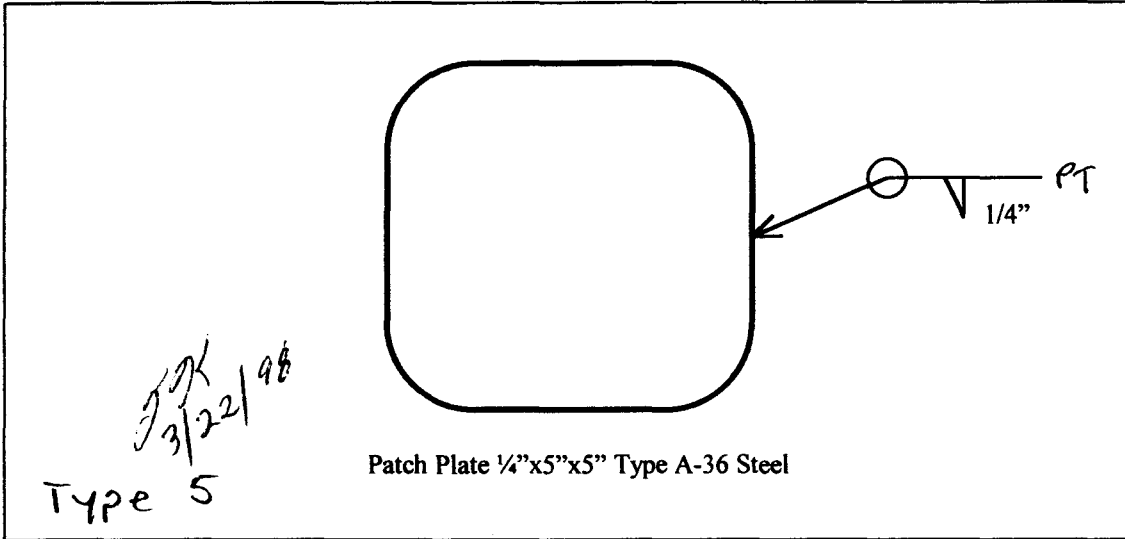
Repair Type 5

O I	ORIGINAL ISSUE	M M	2/20/98
LTR	DESCRIPTION	BY	DATE
REVISIONS			
MID ATLANTIC ENVIRONMENTAL			
EMERGENCY REPAIRS FOR RED HILL TANKS			
Tank #10			
Repair No. 130		File: 10r130	
Upper dome		Quadrant: A	
Course: A		Plate: 3	
Drawn By: M. Moulton		Date: 2/20/98	

Dames & Moore
Emergency Repairs For Red Hill Tanks at the Fleet Industrial & Supply Center
Contract No. N62742-96-C-1356

Repair Record

Tank No.: 10 Repair No.: 130 Type: 5 Location: A



Sketch of Repair Area

Weld Repair

WPS No.: SM1.1-1

Welder ID: John Walsh

NDT Performed: Visual Vacuum Box Dye Penetrant

Rework Required: _____

Repair Acceptable: John Zachell Date Accepted: 2-27-98

Coating Repair

Coating Type: Epoxy

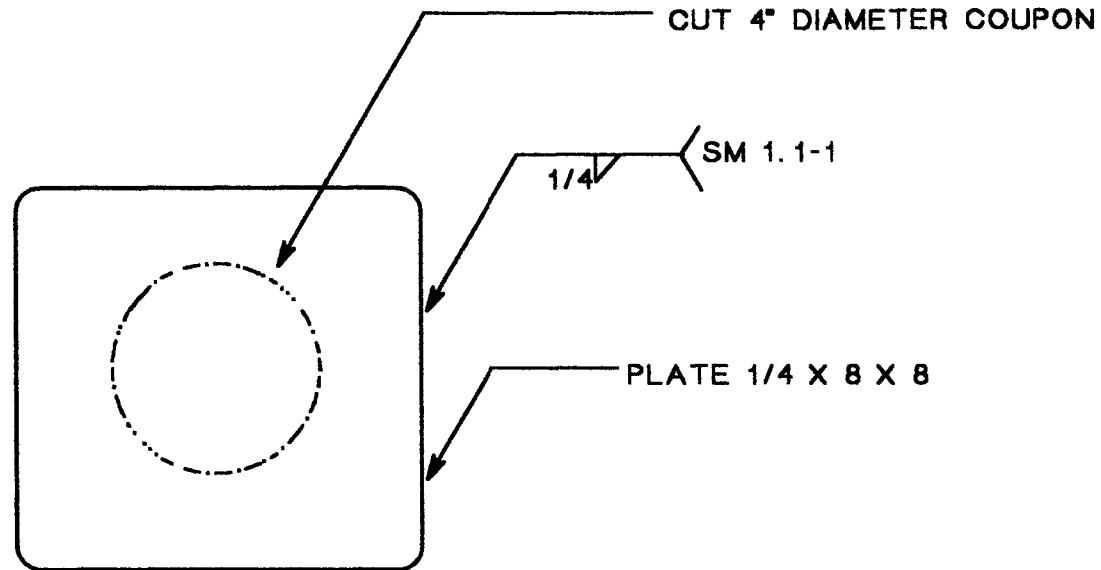
Surface Preparation: Primer Coat: Intermediate Coat: Final Coat:

NDT Performed: Visual: DFT: Average DFT: 8 mils - 15 mils

Rework Required: n/a

Repair Acceptable: John Zachell Date Accepted: 3-13-98

CALENDER OF EVENTS		
EVENT	BY	DATE
Defect Inspected	JF & TK	2/19/98



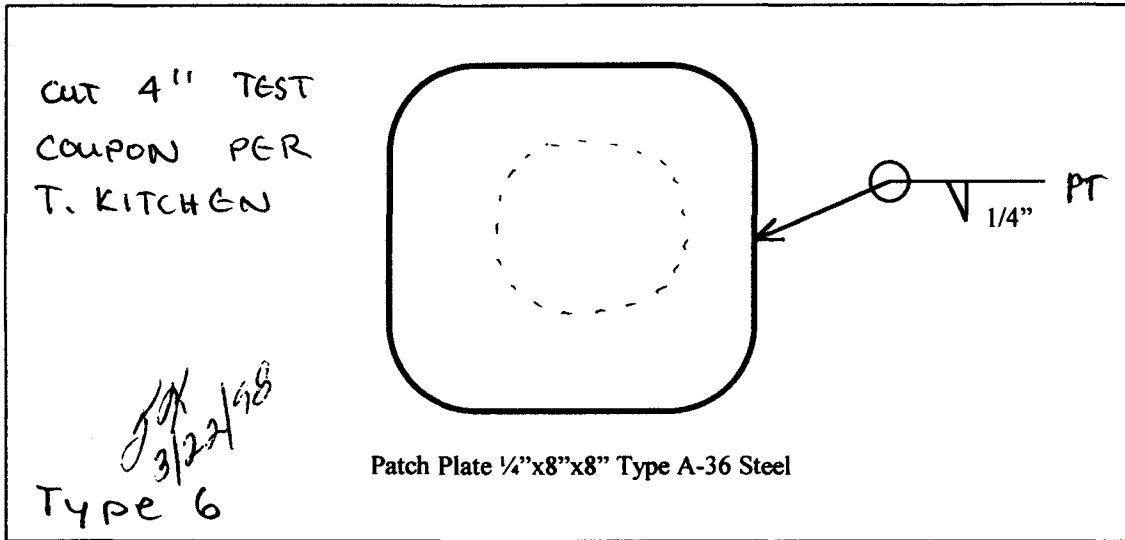
TYPE 6 REPAIR

LTR	DESCRIPTION	BY	DATE
REVISIONS			
MID ATLANTIC ENVIRONMENTAL			
EMERGENCY REPAIRS FOR RED HILL TANKS			
Tank #10			
Repair No. 131	File: 10r131		
Upper dome	Quadrant: A		
Course: C	Plate: 5		
Drawn by: Tom Kitchen	Date: 2/20/98		

Dames & Moore
Emergency Repairs For Red Hill Tanks at the Fleet Industrial & Supply Center
Contract No. N62742-96-C-1356

Repair Record

Tank No.: 10 Repair No.: 131 Type: 6 Location: A



Sketch of Repair Area

Weld Repair

WPS No.: SM1.1-1

Welder ID: John Walsh

NDT Performed: Visual Vacuum Box Dye Penetrant

Rework Required: N/A

Repair Acceptable: John Zachell Date Accepted: 3-2-98

Coating Repair

Coating Type: Epoxy

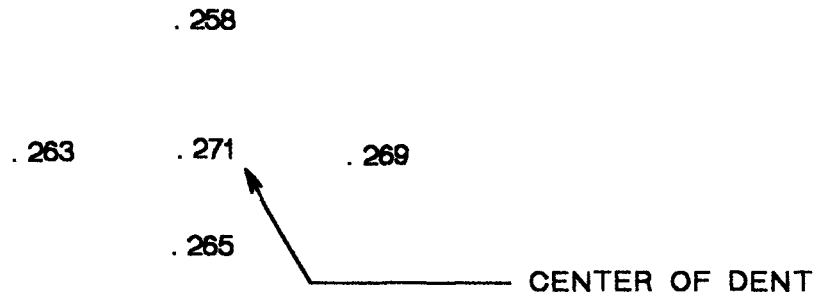
Surface Preparation: Primer Coat: Intermediate Coat: Final Coat:

NDT Performed: Visual: DFT: Average DFT: 8 mils - 15 mils

Rework Required: N/A

Repair Acceptable: John Zachell Date Accepted: 3-13-98

CALENDER OF EVENTS		
EVENT	BY	DATE
Defect Inspected	TK & JF	2/20/98
Drawing Issued to FISC		
Drawing Issued to RORIC		
Defect repaired		
Repair Inspected		
Reports to FISC		

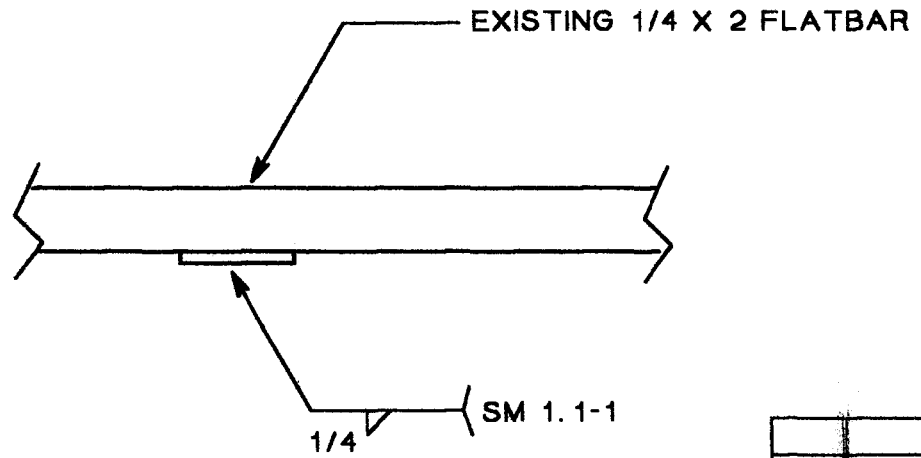


NOTE: DENT OCCURED BEFORE PAINTING. PAINT REPAIR NOT NECESSARY

TYPE 7 REPAIR

O I	ORIGINAL ISSUE	M M	2/20/98
LTR	DESCRIPTION	BY	DATE
REVISIONS			
MID ATLANTIC ENVIRONMENTAL			
EMERGENCY REPAIRS FOR RED HILL TANKS			
Tank #10 AS BUILT DRAWING			
Repair No. 140	File: 10r140		
Upper dome	Quadrant: A		
Course: A	Plate: 4		
Drawn By: M. Moulton	Date: 2/20/98		

CALENDER OF EVENTS		
EVENT	BY	DATE
Defect Inspected	JF & TK	2/20/98



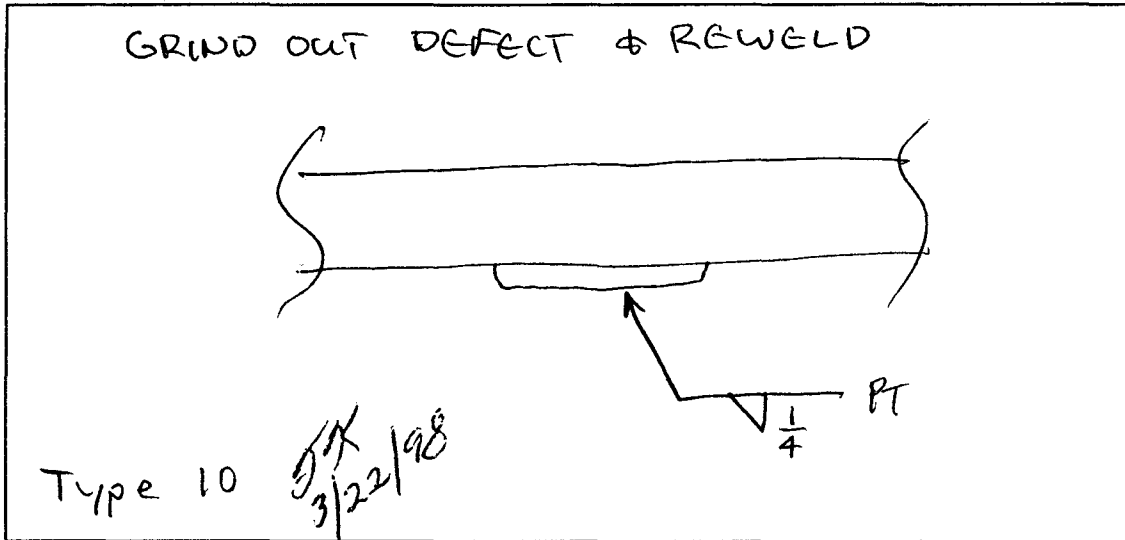
TYPE 10 REPAIR

LTR	DESCRIPTION	BY	DATE
REVISIONS			
MID ATLANTIC ENVIRONMENTAL EMERGENCY REPAIRS FOR RED HILL TANKS			
Tank #10			
Repair No.: 150		File: 10r150	
Upper dome		Quadrant: A	
Course: A & B		Plate: 4	
Drawn by: Tom Kitchen		Date: 2/20/98	

Dames & Moore
Emergency Repairs For Red Hill Tanks at the Fleet Industrial & Supply Center
Contract No. N62742-96-C-1356

Repair Record

Tank No.: 10 Repair No.: 150 Type: 3 Location: A



Sketch of Repair Area

Weld Repair

WPS No.: SM1.1-1

Welder ID: John Walsh

NDT Performed: Visual Vacuum Box Dye Penetrant

Rework Required: N/A

Repair Acceptable: John Zschell Date Accepted: 2-24-98

Coating Repair

Coating Type: Epoxy

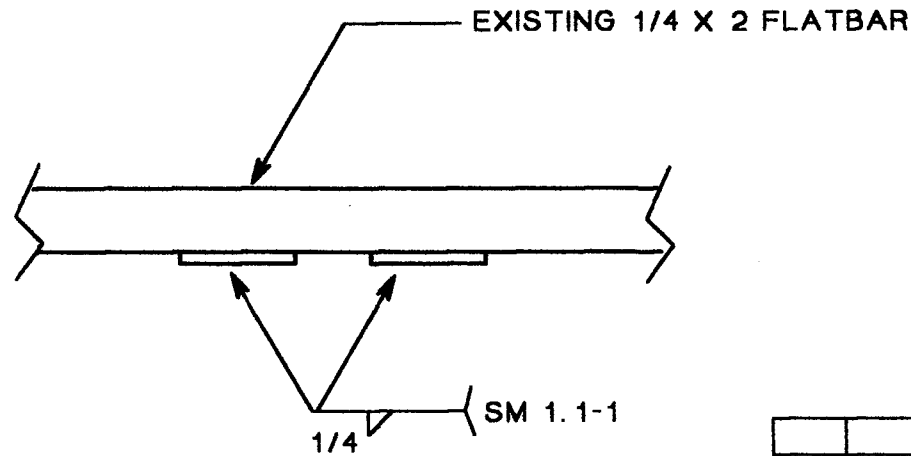
Surface Preparation: Primer Coat: Intermediate Coat: Final Coat:

NDT Performed: Visual: DFT: Average DFT:

Rework Required: N/A

Repair Acceptable: John Zschell Date Accepted: 3-13-98

CALENDER OF EVENTS		
EVENT	BY	DATE
Defect Inspected	JF & TK	2/20/98



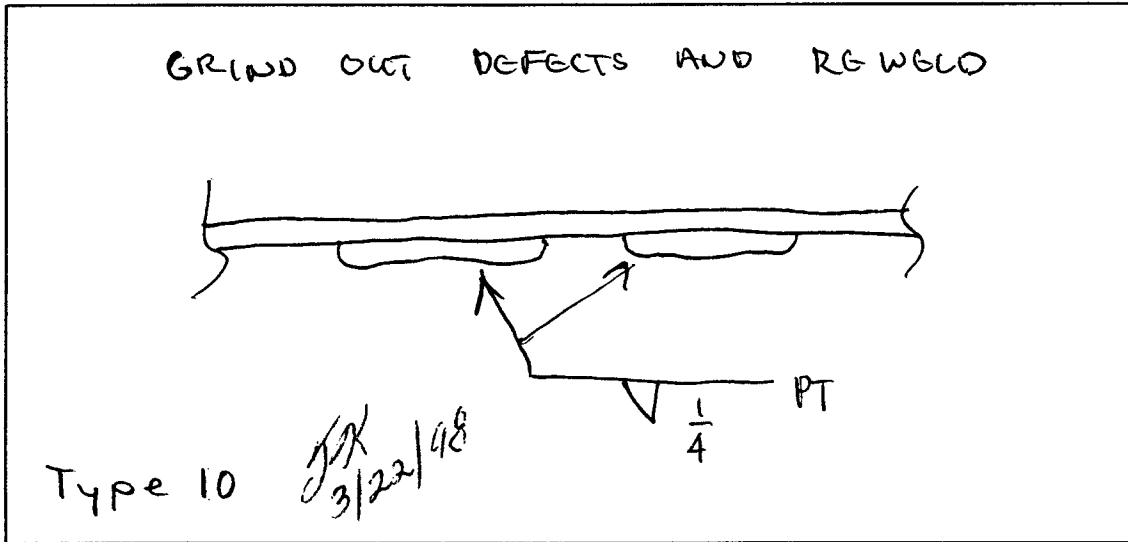
TYPE 10 REPAIR

LTR	DESCRIPTION	BY	DATE
REVISIONS			
MID ATLANTIC ENVIRONMENTAL			
EMERGENCY REPAIRS FOR RED HILL TANKS			
Tank #10			
Repair No.:	160	File:	10r160
Upper dome		Quadrant:	A
Course:	A	Plate:	5
Drawn by:	Tom Kitchen	Date:	2/20/98

Dames & Moore
Emergency Repairs For Red Hill Tanks at the Fleet Industrial & Supply Center
Contract No. N62742-96-C-1356

Repair Record

Tank No.: 10 Repair No.: 160 Type: 3 Location: A



Sketch of Repair Area

Weld Repair

WPS No.: SM1.1-1

Welder ID: John Walsh

NDT Performed: Visual Vacuum Box Dye Penetrant

Rework Required: _____

Repair Acceptable: John Zschell Date Accepted: 2-27-98

Coating Repair

Coating Type: Epoxy

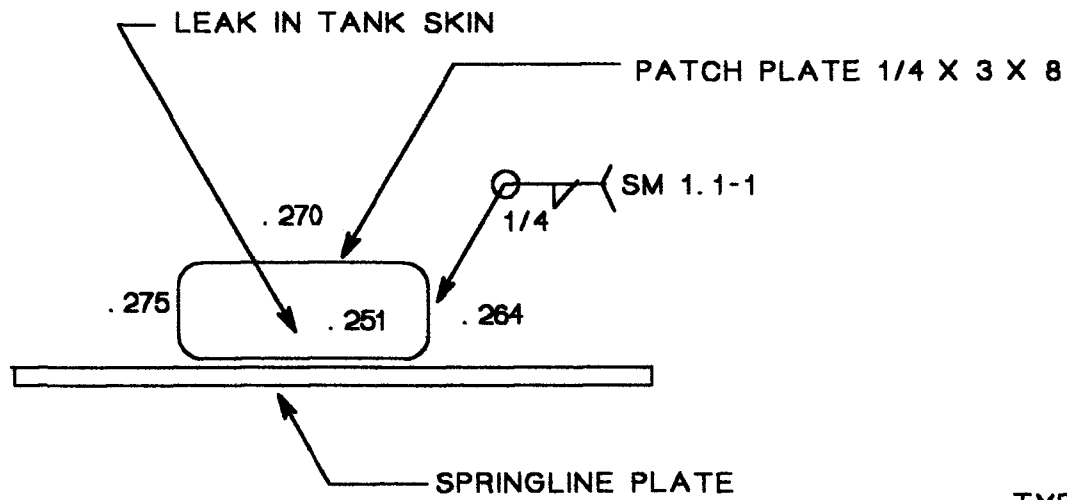
Surface Preparation: Primer Coat: Intermediate Coat: Final Coat:

NDT Performed: Visual: DFT: Average DFT: 8 mils - 15 mils

Rework Required: N/A

Repair Acceptable: John Zschell Date Accepted: 3-15-98

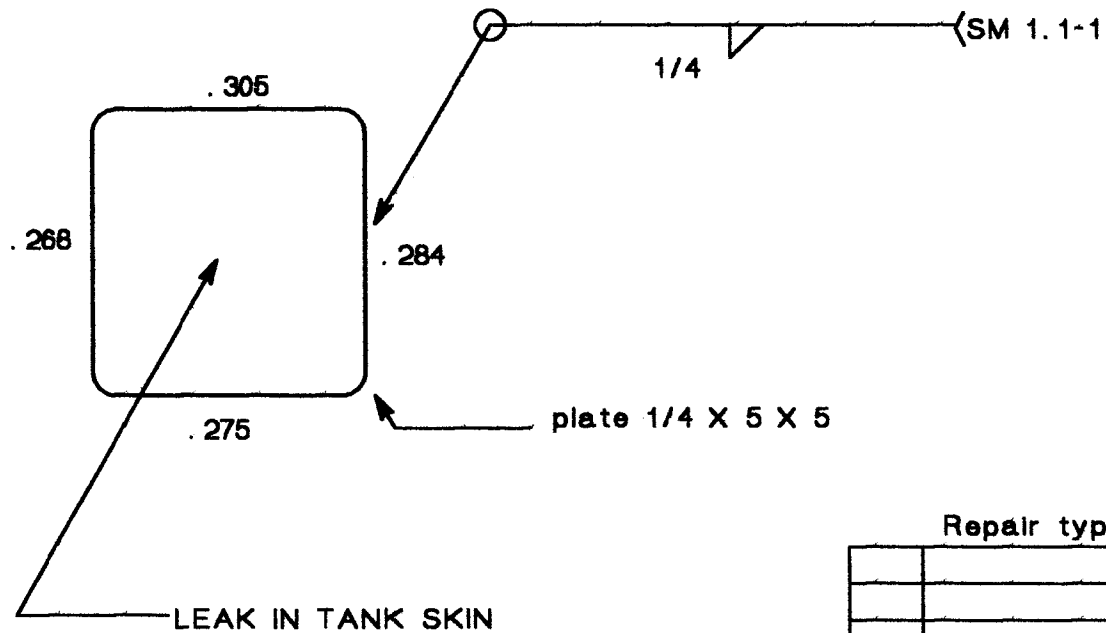
CALENDER OF EVENTS		
EVENT	BY	DATE
Defect Inspected	JF & TK	2/20/98
Drawing Issued to FISC		
Drawing Issued to ROICC		
Defect repaired		
Repair Inspected		
Reports to FISC		



TYPE 5 REPAIR

LTR	DESCRIPTION	BY	DATE
REVISIONS			
MID ATLANTIC ENVIRONMENTAL EMERGENCY REPAIRS FOR RED HILL TANKS			
Tank #10			
Repair No. 170		File: 10udr170	
Upper dome		Quadrant: A	
Course: A		Plate: 5	
Drawn by: Tom Kitchen		Date: 2/20/98	

CALENDER OF EVENTS		
EVENT	BY	DATE
Defect Inspected	JF & TK	2/20/98



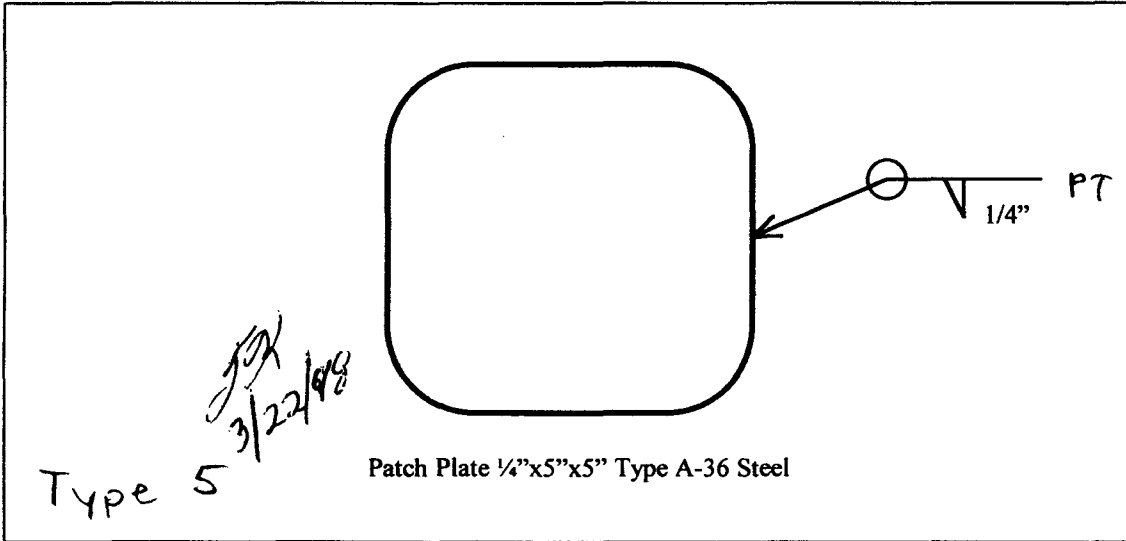
Repair type 5

LTR	DESCRIPTION	BY	DATE
REVISIONS			
MID ATLANTIC ENVIRONMENTAL			
EMERGENCY REPAIRS FOR RED HILL TANKS			
Tank #10			
Repair No. 180	File 10-180		
Upper dome	Quadrant B		
Course EXTENSION	Plate 9		
Drawn by Tom Kitchen	Date 4/28/98		

Dames & Moore
Emergency Repairs For Red Hill Tanks at the Fleet Industrial & Supply Center
Contract No. N62742-96-C-1356

Repair Record

Tank No.: 10 Repair No.: 180 Type: 5 Location: B



Sketch of Repair Area

Weld Repair

WPS No.: SM1.1-1

Welder ID: John Walsh

NDT Performed: Visual Vacuum Box Dye Penetrant

Rework Required: _____

Repair Acceptable: John Zaderell Date Accepted: 2-27-98

Coating Repair

Coating Type: Epoxy

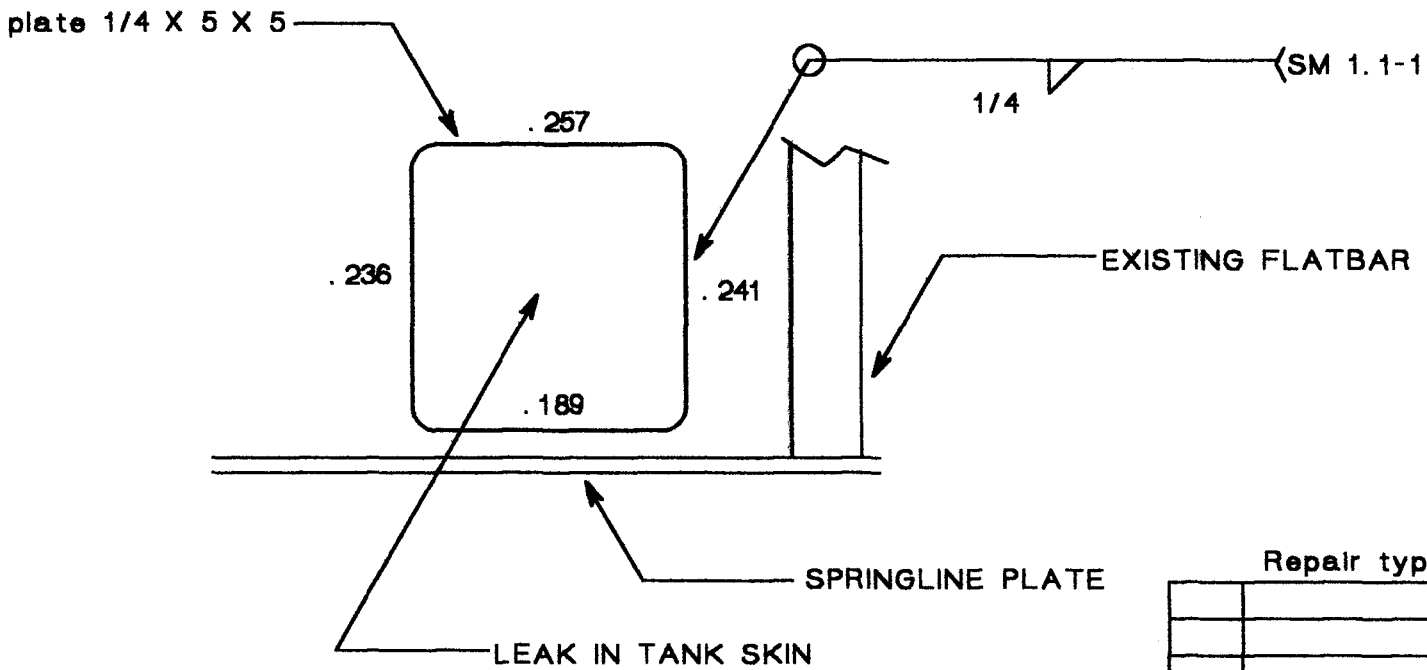
Surface Preparation: Primer Coat: Intermediate Coat: Final Coat:

NDT Performed: Visual: DFT: Average DFT: 8 mils - 15 mils

Rework Required: N/A

Repair Acceptable: John Zaderell Date Accepted: 3-13-98

CALENDER OF EVENTS		
EVENT	BY	DATE
Defect Inspected	JF & TK	2/20/98



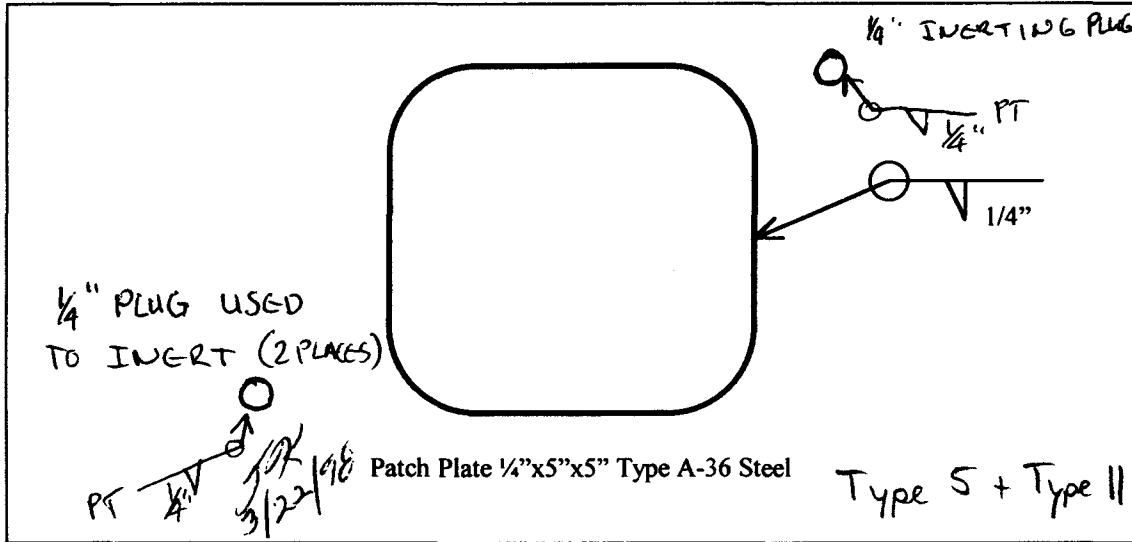
Repair type 5

LTR	DESCRIPTION	BY	DATE
REVISIONS			
MID ATLANTIC ENVIRONMENTAL			
EMERGENCY REPAIRS FOR RED HILL TANKS			
Tank #10			
Repair No.:	190	File:	10r190
Upper dome		Quadrant:	B
Course:	EXTENSION	Plate:	9
Drawn by:	Tom Kitchen	Date:	4/28/98

Dames & Moore
Emergency Repairs For Red Hill Tanks at the Fleet Industrial & Supply Center
Contract No. N62742-96-C-1356

Repair Record

Tank No.: 10 Repair No.: 190 Type: 5 Location: B



Sketch of Repair Area

Weld Repair

WPS No.: SM1.1-1

Welder ID: John Walsh

NDT Performed: Visual Vacuum Box Dye Penetrant

Rework Required: N/A

Repair Acceptable: John Zschell Date Accepted: 2-27-98

Coating Repair

Coating Type: Epoxy

Surface Preparation: Primer Coat: Intermediate Coat: Final Coat:

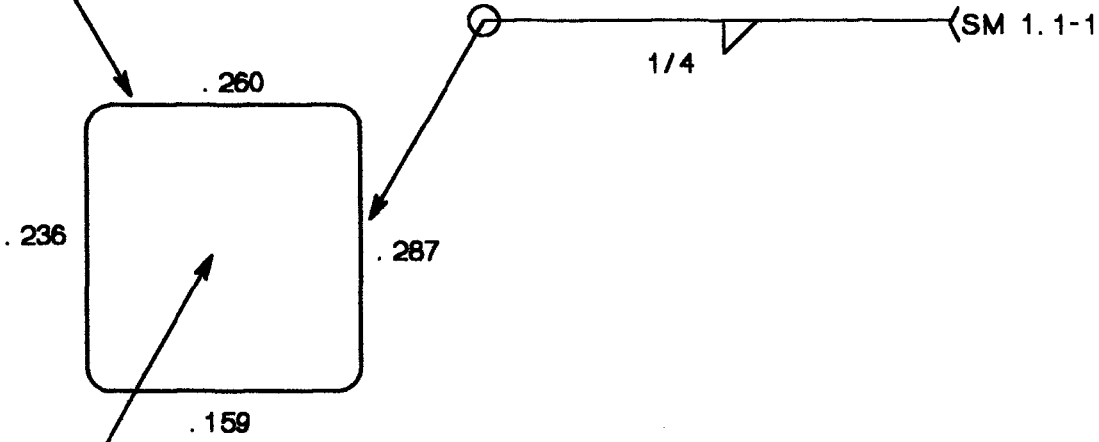
NDT Performed: Visual: DFT: Average DFT: 8 mils - 15 mils

Rework Required: N/A

Repair Acceptable: John Zschell Date Accepted: 3-13-98

CALENDER OF EVENTS		
EVENT	BY	DATE
Defect Inspected	JF & TK	2/20/98

plate 1/4 X 5 X 5



LEAK IN TANK SKIN

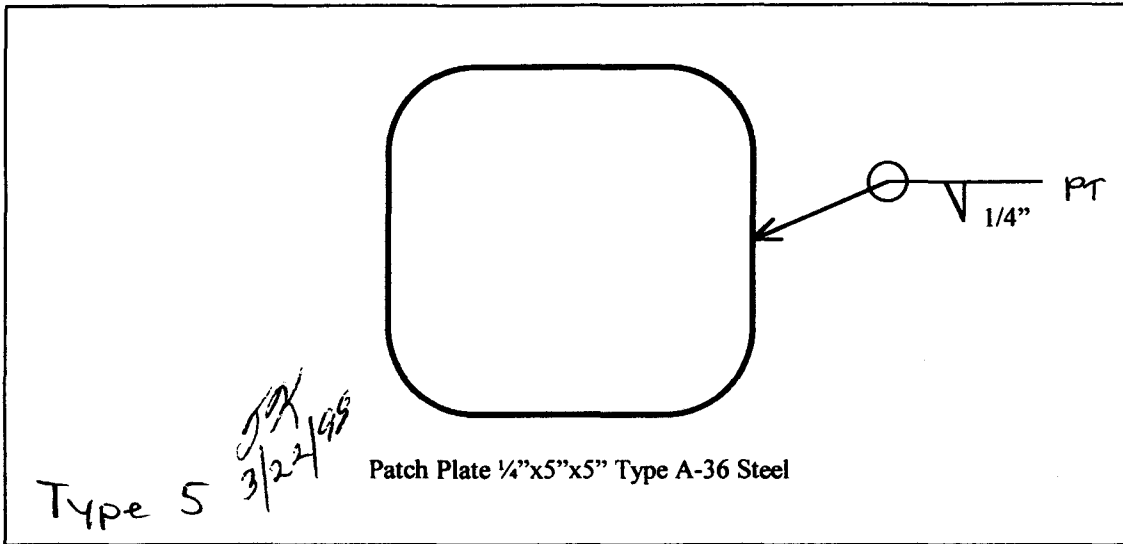
Repair type 5

LTR	DESCRIPTION	BY	DATE
REVISIONS			
MID ATLANTIC ENVIRONMENTAL			
EMERGENCY REPAIRS FOR RED HILL TANKS			
Tank #10			
Repair No. 200	File 10r200		
Upper dome	Quadrant B		
Course EXTENSION	Plate 10		
Drawn by Tom Kitchen	Date 4/28/98		

Dames & Moore
Emergency Repairs For Red Hill Tanks at the Fleet Industrial & Supply Center
Contract No. N62742-96-C-1356

Repair Record

Tank No.: 10 Repair No.: 200 Type: 5 Location: B



Sketch of Repair Area

Weld Repair

WPS No.: SM1.1-1

Welder ID: John Walsh

NDT Performed: Visual Vacuum Box Dye Penetrant

Rework Required: N/A

Repair Acceptable: John Zachell Date Accepted: 2-27-98

Coating Repair

Coating Type: Epoxy

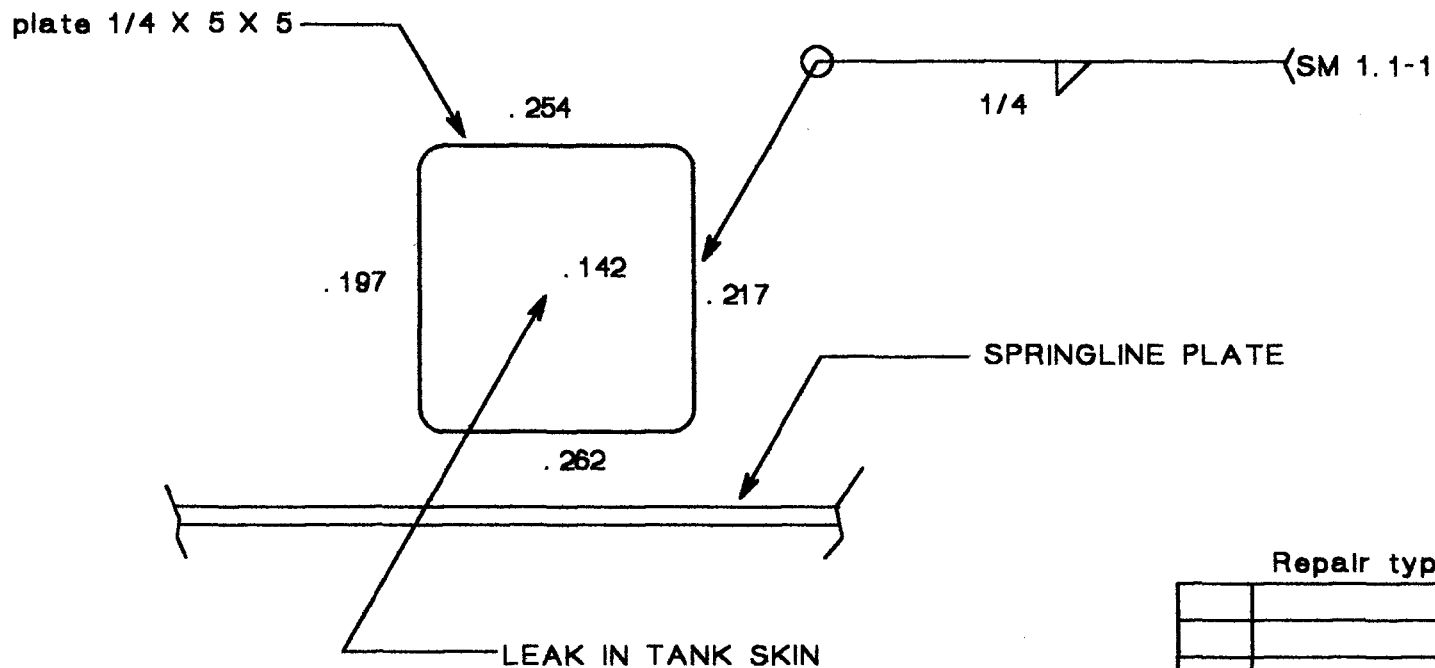
Surface Preparation: Primer Coat: Intermediate Coat: Final Coat:

NDT Performed: Visual: DFT: Average DFT: 8 mils - 15 mils

Rework Required: N/A

Repair Acceptable: John Zachell Date Accepted: 3-13-98

CALENDER OF EVENTS		
EVENT	BY	DATE
Defect Inspected	JF & TK	2/20/98



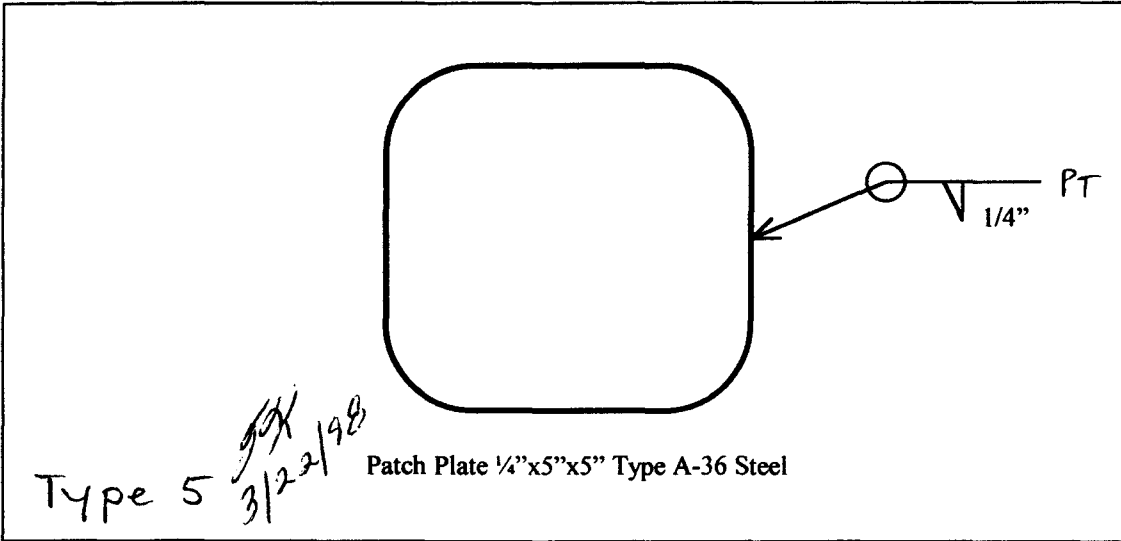
Repair type 5

LTR	DESCRIPTION	BY	DATE
REVISIONS			
MID ATLANTIC ENVIRONMENTAL			
EMERGENCY REPAIRS FOR RED HILL TANKS			
Tank #10			
Repair No.:	210	File:	10r210
Upper dome		Quadrant:	B
Course:	EXTENSION	Plate:	10
Drawn by:	Tom Kitchen	Date:	4/28/98

Dames & Moore
Emergency Repairs For Red Hill Tanks at the Fleet Industrial & Supply Center
Contract No. N62742-96-C-1356

Repair Record

Tank No.: 10 Repair No.: ADD 210 Type: 5 Location: B



Sketch of Repair Area

Weld Repair

WPS No.: SML1-1

Welder ID: John Walsh

NDT Performed: Visual Vacuum Box Dye Penetrant

Rework Required: N/A

Repair Acceptable: John Zaderell Date Accepted: 3-2-98

Coating Repair

Coating Type: Epoxy

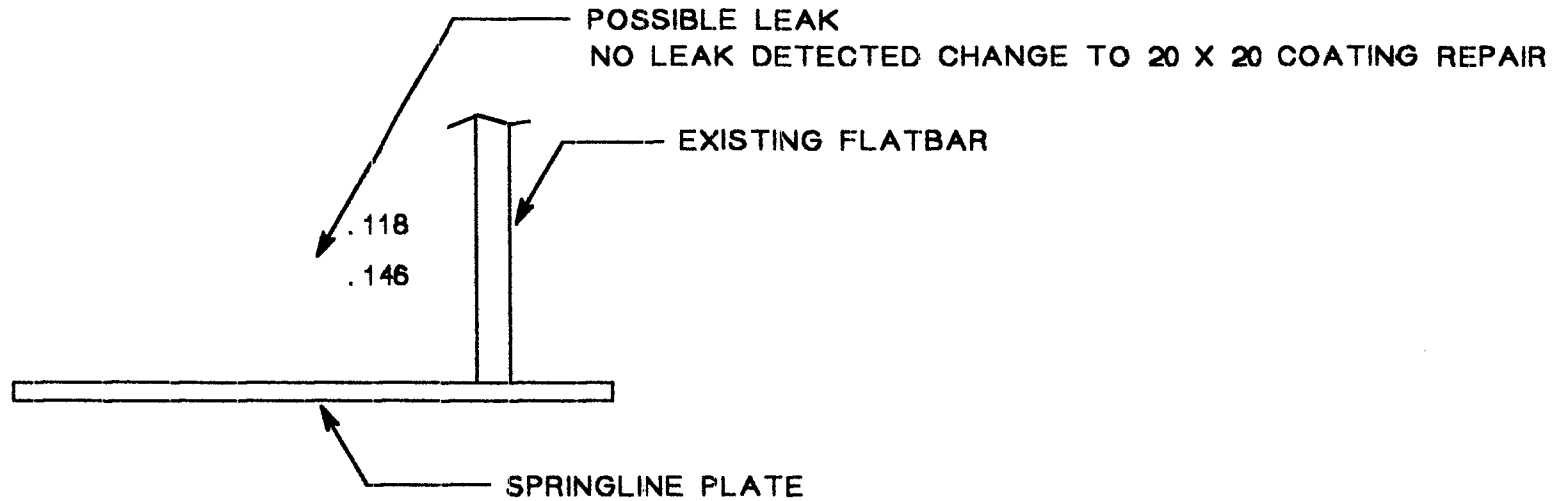
Surface Preparation: Primer Coat: Intermediate Coat: Final Coat:

NDT Performed: Visual: DFT: Average DFT: 8 mils - 15 mils

Rework Required: N/A

Repair Acceptable: John Zaderell Date Accepted: 3-13-98

CALENDER OF EVENTS		
EVENT	BY	DATE
Defect Inspected	JF&TK	2/20/98
Drawing Issued to FISC		
Drawing Issued to ROICC		
Defect repaired		
Repair Inspected		
Reports to FISC		



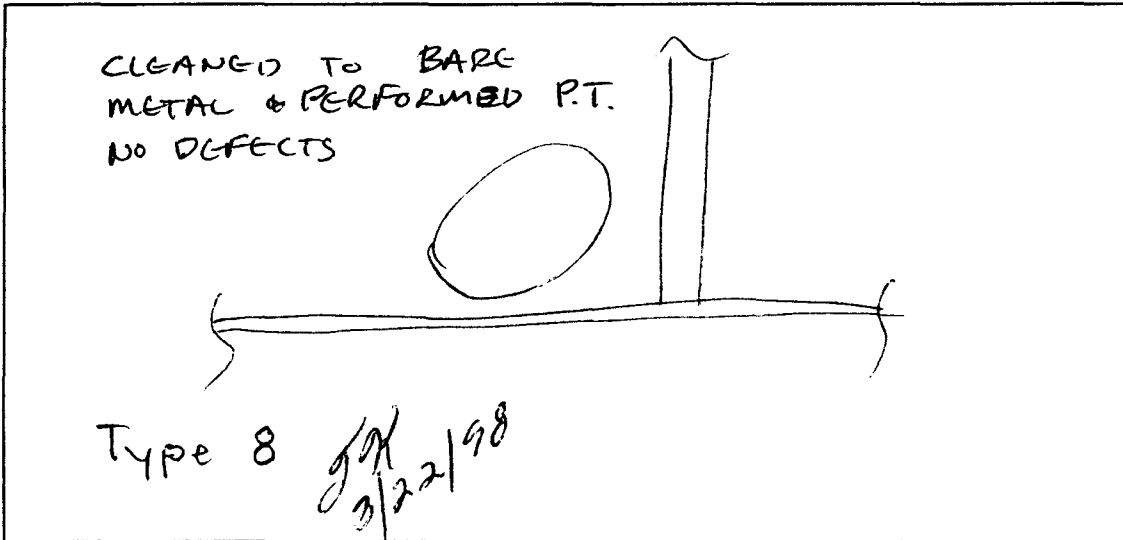
TYPE 8 REPAIR

LTR	DESCRIPTION	BY	DATE
REVISIONS			
MID ATLANTIC ENVIRONMENTAL			
EMERGENCY REPAIRS FOR RED HILL TANKS			
Tank #10			
Repair No. 220		File 10udr220	
Upper dome		Quadrant B	
Course EXTENSION		Plate 11	
Drawn by Tom Kitchen		Date 5/13/98	

Dames & Moore
Emergency Repairs For Red Hill Tanks at the Fleet Industrial & Supply Center
Contract No. N62742-96-C-1356

Repair Record

Tank No.: 10 Repair No.: 220 Type: 3 Location: B



Sketch of Repair Area

Weld Repair N/A

WPS No.: SMI.1-1

Welder ID: John Walsh

NDT Performed: Visual Vacuum Box Dye Penetrant

Rework Required: _____

Repair Acceptable: _____ Date Accepted: _____

Coating Repair

Coating Type: Epoxy

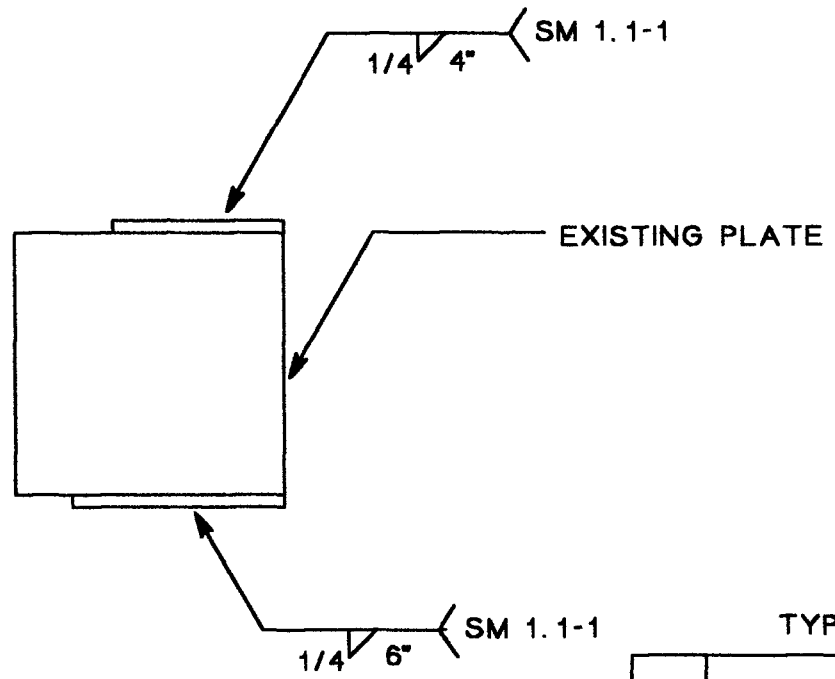
Surface Preparation: Primer Coat: Intermediate Coat: Final Coat:

NDT Performed: Visual: DFT: Average DFT: 8 mils - 15 mils

Rework Required: N/A

Repair Acceptable: John Zaderell Date Accepted: 3-13-98

CALENDER OF EVENTS		
EVENT	BY	DATE
Defect Inspected	JF&TK	2/20/98



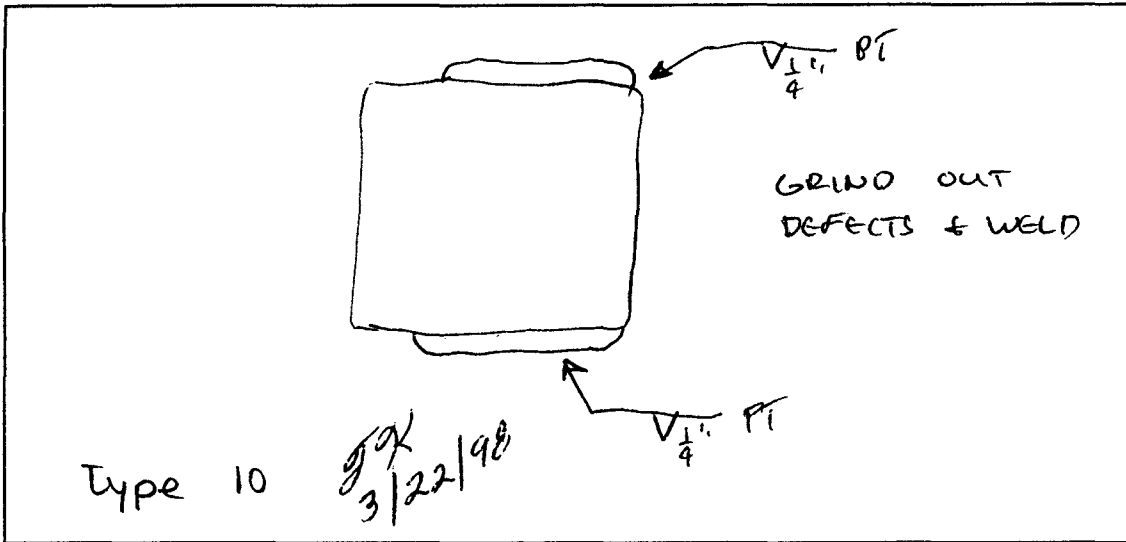
TYPE 10 REPAIR

LTR	DESCRIPTION	BY	DATE
REVISIONS			
MID ATLANTIC ENVIRONMENTAL			
EMERGENCY REPAIRS FOR RED HILL TANKS			
Tank #10			
Repair No. 230		File 10r230	
Cylinder		Quadrant B	
Course 1		Plate 11	
Drawn by: Tom Kitchen		Date: 5/13/98	

Dames & Moore
Emergency Repairs For Red Hill Tanks at the Fleet Industrial & Supply Center
Contract No. N62742-96-C-1356

Repair Record

Tank No.: 10 Repair No.: 230 Type: 8 Location: A



Sketch of Repair Area

Weld Repair

WPS No.: SM 1.1-1

Welder ID: John Walsh

NDT Performed: Visual Vacuum Box Dye Penetrant

Rework Required: N/A

Repair Acceptable: John Zerkell Date Accepted: 3-3-98

Coating Repair

Coating Type: EPOXY

Surface Preparation: Primer Coat: Intermediate Coat: Final Coat:

NDT Performed: Visual: DFT: Average DFT: 8 mils - 15 mils

Rework Required: N/A

Repair Acceptable: John Zerkell Date Accepted: 3-13-98

CALENDER OF EVENTS		
EVENT	BY	DATE
Defect Inspected	JF&TK	2/20/98

COATING FAILURE DUE TO SCRATCH BY BASKET
 APPROXIMATELY 800 SQUARE INCH AREA

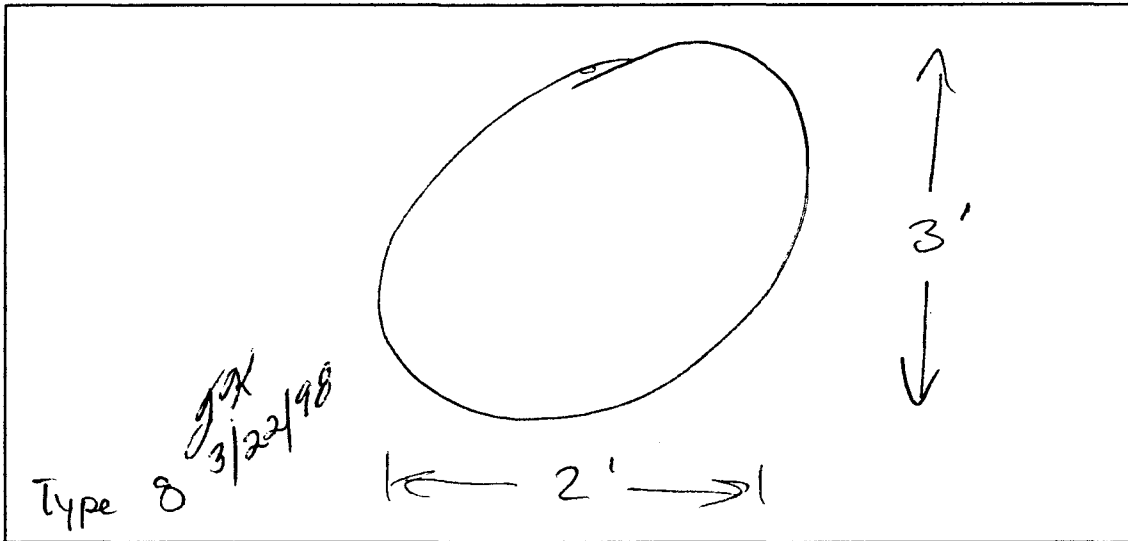
TYPE 8 REPAIR

LTR	DESCRIPTION	BY	DATE
REVISIONS			
MID ATLANTIC ENVIRONMENTAL			
EMERGENCY REPAIRS FOR RED HILL TANKS			
Tank #10			
Repair No. 240		File 10r240	
Upper Dome		Quadrant B	
Course 1		Plate 2	
Drawn by: Tom Kitchen		Date: 5/13/98	

Dames & Moore
Emergency Repairs For Red Hill Tanks at the Fleet Industrial & Supply Center
Contract No. N62742-96-C-1356

Repair Record

Tank No.: 10 Repair No.: 240 Type: 8 Location: A



Sketch of Repair Area

Weld Repair N/A

WPS No.: SM1.1-1

Welder ID: John Walsh

NDT Performed: Visual Vacuum Box Dye Penetrant

Rework Required: _____

Repair Acceptable: _____ Date Accepted: _____

Coating Repair

Coating Type: Epoxy

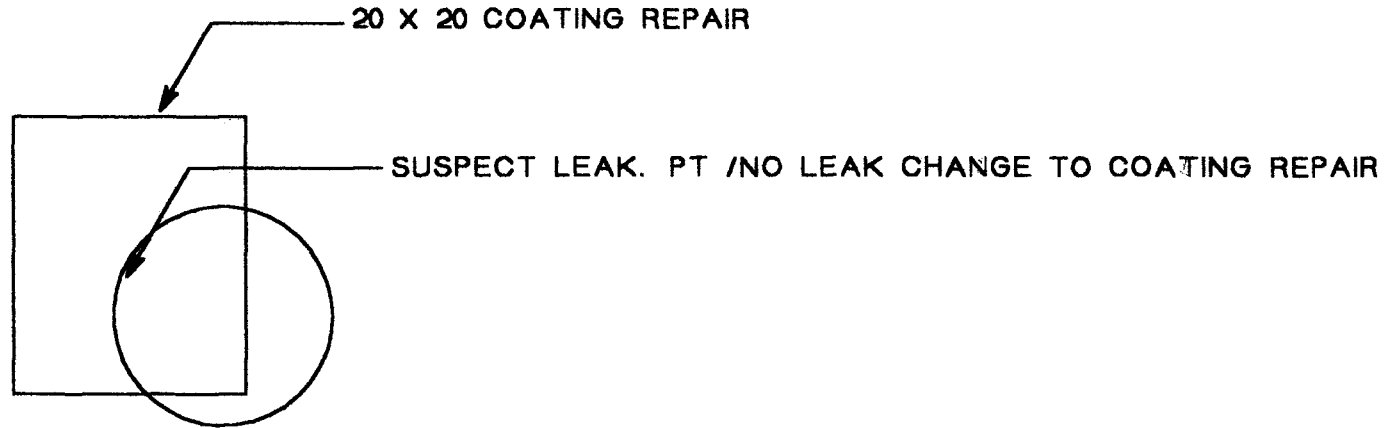
Surface Preparation: Primer Coat: Intermediate Coat: Final Coat:

NDT Performed: Visual: DFT: Average DFT: 8 mils - 15 mils

Rework Required: N/A

Repair Acceptable: John Walsh Date Accepted: 3-13-98

CALENDER OF EVENTS		
EVENT	BY	DATE
Defect Inspected	JF&TK	2/20/98



TYPE B REPAIR

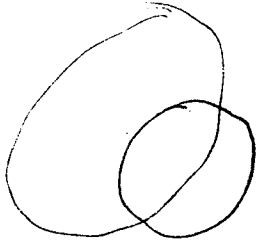
LTR	DESCRIPTION	BY	DATE
REVISIONS			
MID ATLANTIC ENVIRONMENTAL			
EMERGENCY REPAIRS FOR RED HILL TANKS			
Tank #10			
Repair No. 250	File:10r250		
Upper dome	Quadrant: B		
Course: EXTENSION	Plate: 9		
Drawn by: Tom Kitchen	Date:5/13/98		

Dames & Moore
Emergency Repairs For Red Hill Tanks at the Fleet Industrial & Supply Center
Contract No. N62742-96-C-1356

Repair Record

Tank No.: 10 Repair No.: 250 Type: 8 Location: B

CLEAN TO BARE METAL + PERFORM P.T.



NO DEFECTS FOUND

Type 8 ^{JK} 3/22/98

Sketch of Repair Area

Weld Repair N/A

WPS No.: SM1.1-1

Welder ID: John Walsh

NDT Performed: Visual Vacuum Box Dye Penetrant

Rework Required: _____

Repair Acceptable: _____ Date Accepted: _____

Coating Repair

Coating Type: Epoxy

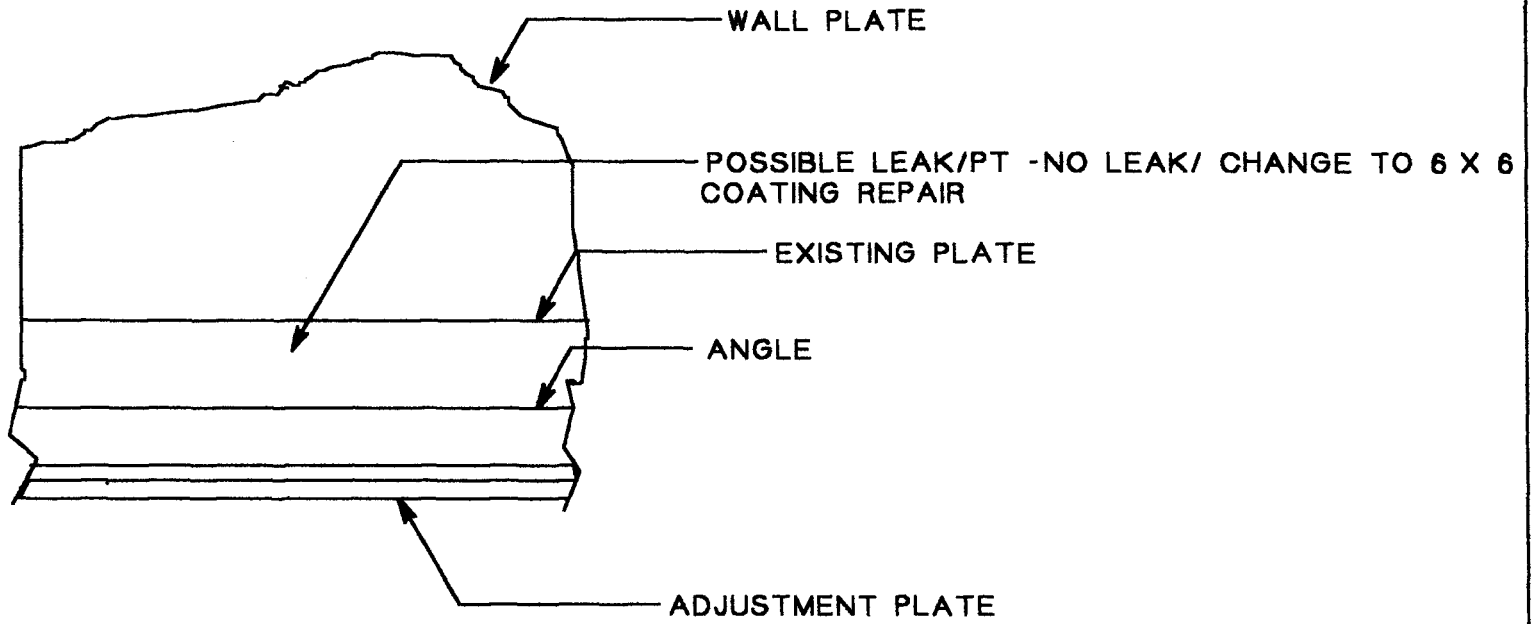
Surface Preparation: Primer Coat: Intermediate Coat: Final Coat:

NDT Performed: Visual: DFT: Average DFT: 6 mils - 15 mils

Rework Required: N/A

Repair Acceptable: John Zarell Date Accepted: 3-13-98

CALENDER OF EVENTS		
EVENT	BY	DATE
Defect Inspected	JF&TK	2/20/98



TYPE 8 REPAIR

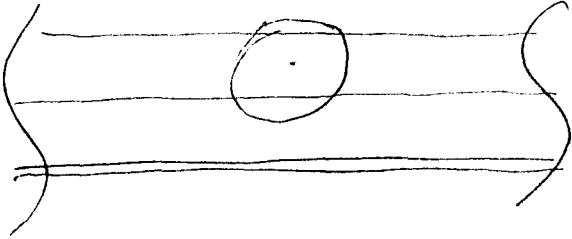
LTR	DESCRIPTION	BY	DATE
REVISIONS			
MID ATLANTIC ENVIRONMENTAL			
EMERGENCY REPAIRS FOR RED HILL TANKS			
Tank #10			
Repair No. : 260	File:10r260		
Upper dome	Quadrant: B		
Course: EXTENSION	Plate: 9		
Drawn by: Tom Kitchen	Date: 5/13/98		

Dames & Moore
Emergency Repairs For Red Hill Tanks at the Fleet Industrial & Supply Center
Contract No. N62742-96-C-1356

Repair Record

Tank No.: 10 Repair No.: 260 Type: 5 Location: B

CLEAN TO BARE METAL & PERFORM
P.T.



NO DEFECTS FOUND
Type 8

JK
3/22/98

Sketch of Repair Area

Weld Repair N/A

WPS No.: SM1.1-1

Welder ID: John Walsh

NDT Performed: Visual Vacuum Box Dye Penetrant

Rework Required: _____

Repair Acceptable: _____ Date Accepted: _____

Coating Repair

Coating Type: Epoxy

Surface Preparation: Primer Coat: Intermediate Coat: Final Coat:

NDT Performed: Visual: DFT: Average DFT: 8 mils - 15 mils

Rework Required: N/A

Repair Acceptable: John Zaderell Date Accepted: 3-13-98