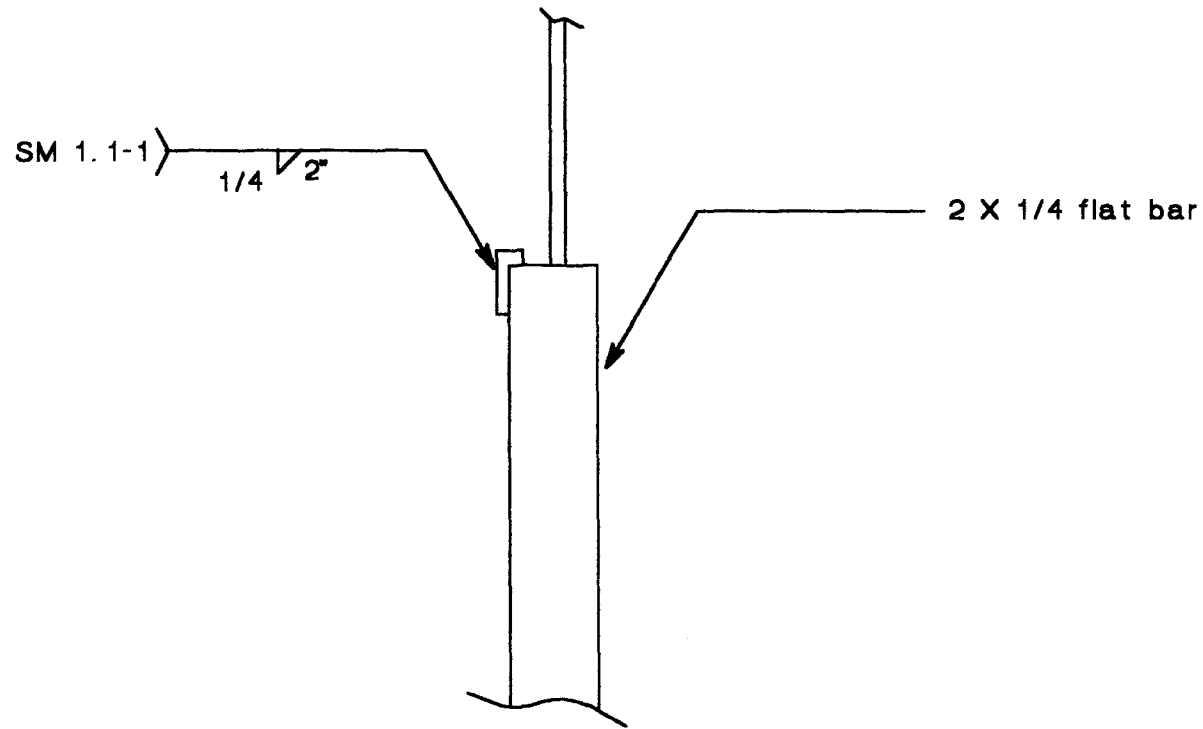


Inspected 3/27/98 by JF & TK



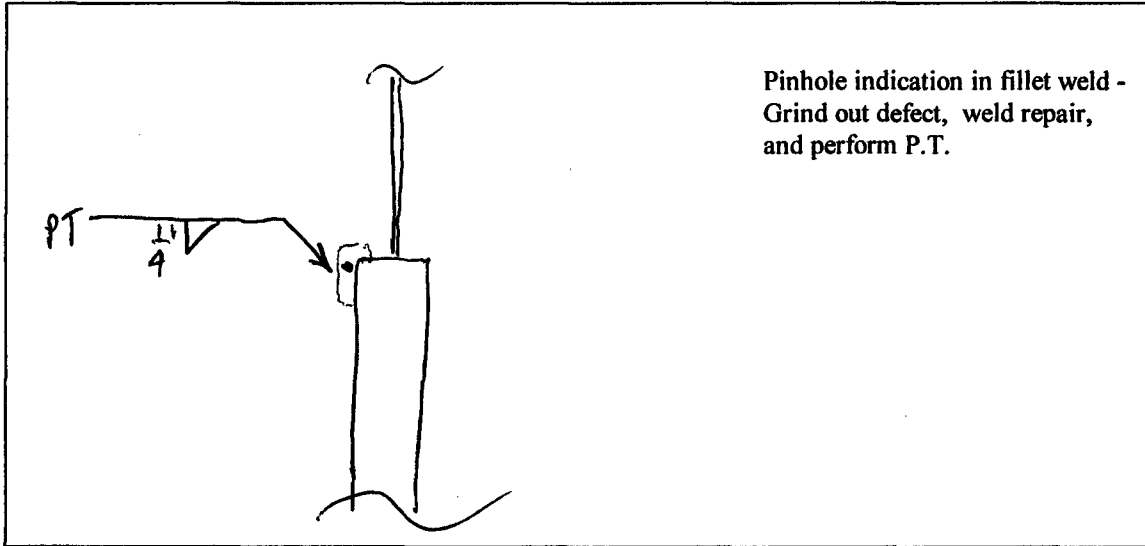
TYPE 10 REPAIR

MID ATLANTIC ENVIRONMENTAL	
EMERGENCY REPAIRS FOR RED HILL TANKS	
Tank #7 RECOMMENDED REPAIR DRAWINGS	
Repair No.: 016	File: 7R016
Upper Dome	Quadrant: D
Course: A	Plate: 21
Drawn by: Tom Kitchen	Date: 5/4/98

Dames & Moore
Emergency Repairs For Red Hill Tanks at the Fleet Industrial & Supply Center
Contract No. N62742-96-C-1356

Repair Record

Tank No.: 7 Repair No.: 016 Type: 10 Location: D21-A



Sketch of Repair Area

Weld Repair

WPS No.: SM1.1-1

Welder ID: John Walsh

NDT Performed: Visual Vacuum Box Dye Penetrant

Rework Required: N/A

Repair Acceptable: John Zubell Date Accepted: 4-2-98

Coating Repair

Coating Type: Epoxy

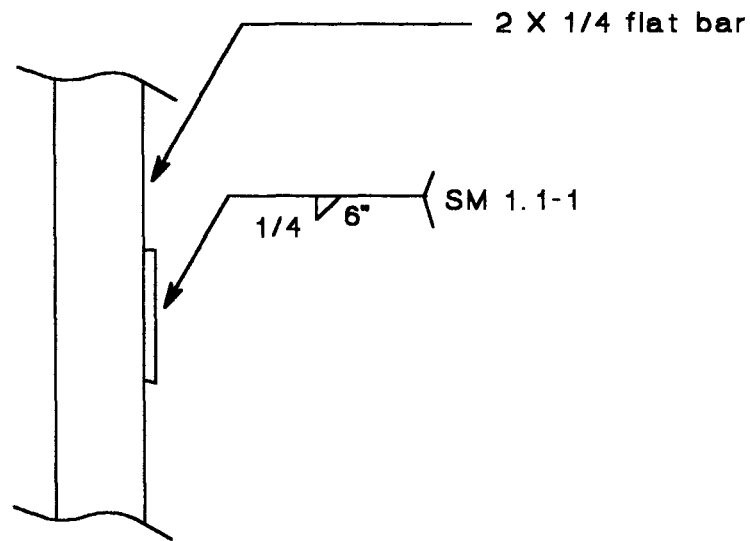
Surface Preparation: Primer Coat: Intermediate Coat: Final Coat:

NDT Performed: Visual: DFT: Average DFT: 8-15 mils

Rework Required: N/A

Repair Acceptable: John Zubell Date Accepted: 4-3-98

Inspected 3/27/98 by JF & TK



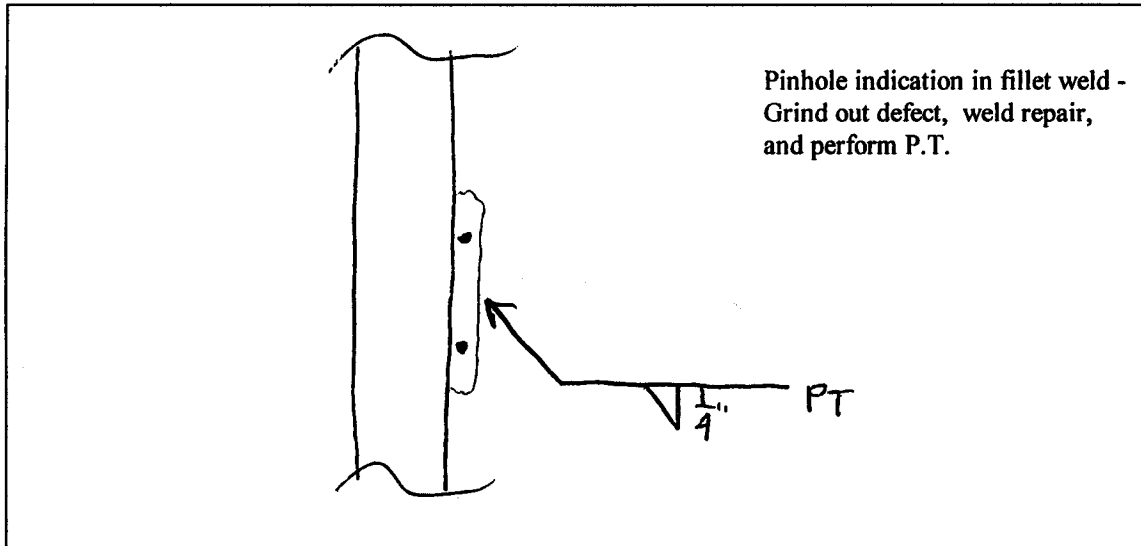
TYPE 10 REPAIR

MID ATLANTIC ENVIRONMENTAL	
EMERGENCY REPAIRS FOR RED HILL TANKS	
Tank #7 RECOMMENDED REPAIR DRAWINGS	
Repair No.: 017	File: 7R017
Upper Dome	Quadrant: D
Course: A	Plate: 19
Drawn by: Tom Kitchen	Date: 5/4/98

Dames & Moore
Emergency Repairs For Red Hill Tanks at the Fleet Industrial & Supply Center
Contract No. N62742-96-C-1356

Repair Record

Tank No.: 7 Repair No.: 017 Type: 10 Location: D19-A



Sketch of Repair Area

Weld Repair

WPS No.: SM1.1-1

Welder ID: John Walsh

NDT Performed: Visual Vacuum Box Dye Penetrant

Rework Required: N/A

Repair Acceptable: John Zickell Date Accepted: 4-2-98

Coating Repair

Coating Type: Epoxy

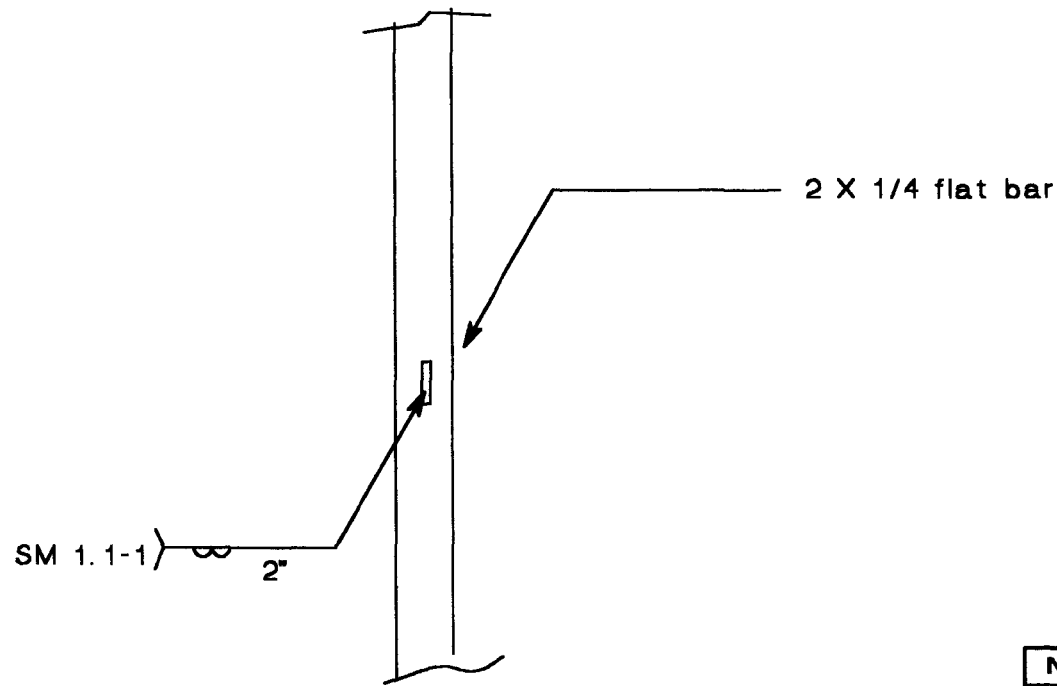
Surface Preparation: Primer Coat: Intermediate Coat: Final Coat:

NDT Performed: Visual: DFT: Average DFT: 8-15 mils

Rework Required: N/A

Repair Acceptable: John Zickell Date Accepted: 4-3-98

Inspected 3/27/98 by JF & TK



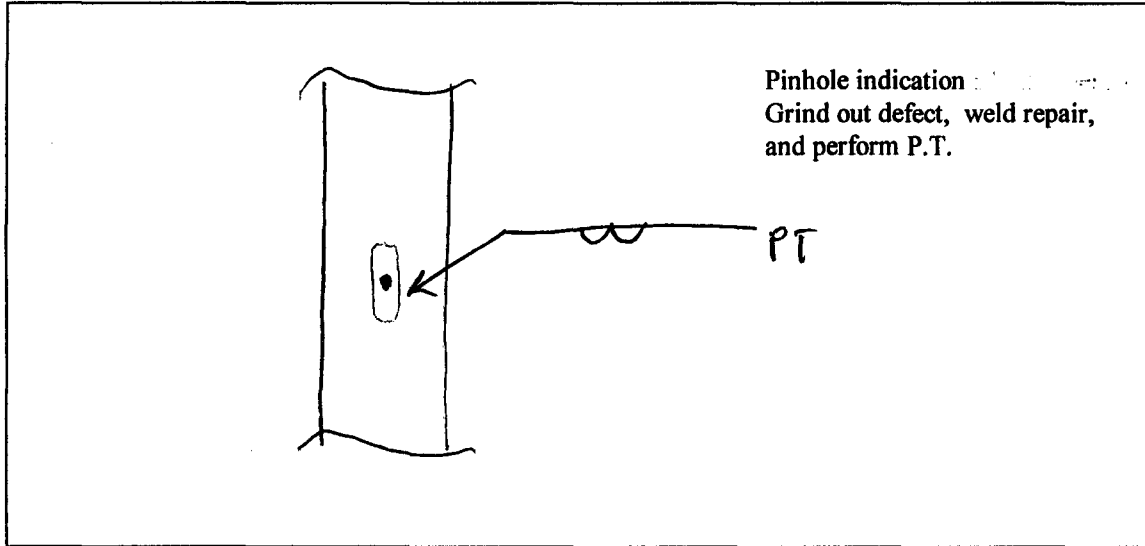
TYPE 10 REPAIR

MID ATLANTIC ENVIRONMENTAL	
EMERGENCY REPAIRS FOR RED HILL TANKS	
Tank #7 RECOMMENDED REPAIR DRAWING	
Repair No.: 018	File: 7R018
Upper Dome	Quadrant: D
Course: A	Plate: 19
Drawn by: Tom Klitcher	Date: 5/4/98

Dames & Moore
Emergency Repairs For Red Hill Tanks at the Fleet Industrial & Supply Center
Contract No. N62742-96-C-1356

Repair Record

Tank No.: 7 Repair No.: 018 Type: 10 Location: D19-A



Sketch of Repair Area

Weld Repair

WPS No.: SM1.1-1

Welder ID: John Walsh

NDT Performed: Visual Vacuum Box Dye Penetrant

Rework Required: N/A

Repair Acceptable: John Zschell Date Accepted: 4-2-98

Coating Repair

Coating Type: Epoxy

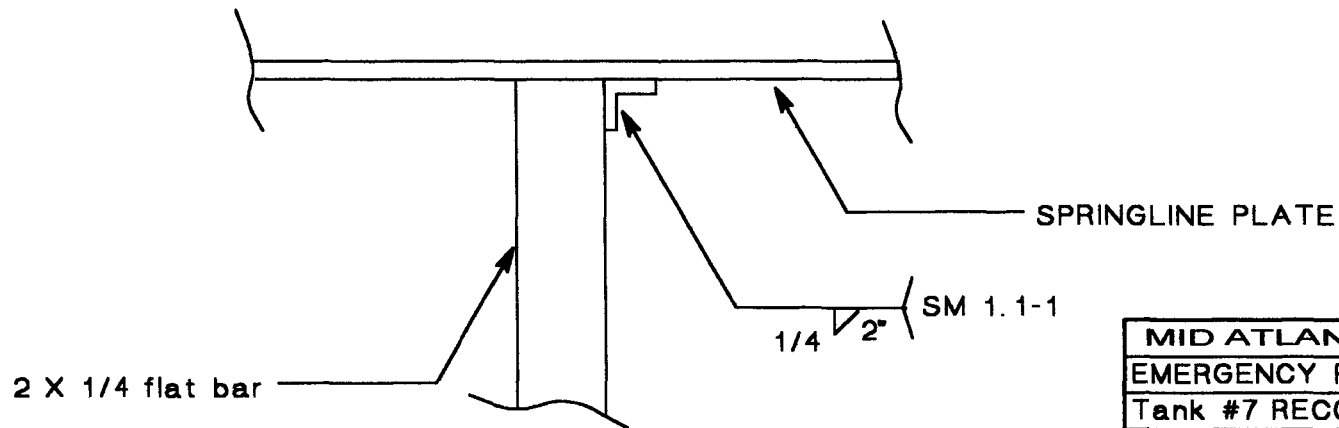
Surface Preparation: Primer Coat: Intermediate Coat: Final Coat:

NDT Performed: Visual: DFT: Average DFT: 8-15 mils

Rework Required: N/A

Repair Acceptable: John Zschell Date Accepted: 4-3-98

Inspected 3/27/98 by JF & TK



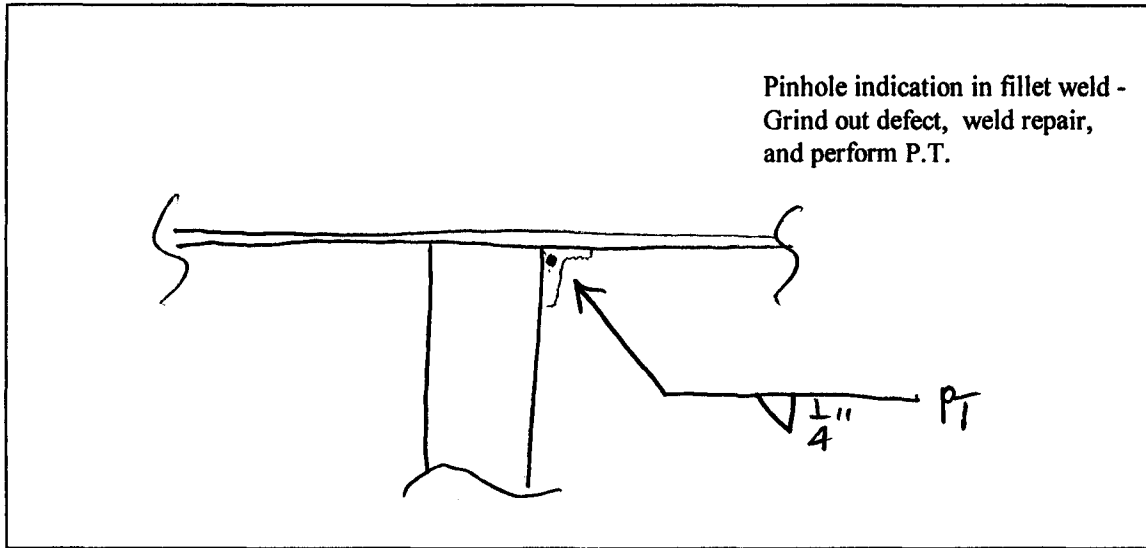
TYPE 10 REPAIR

MID ATLANTIC ENVIRONMENTAL	
EMERGENCY REPAIRS FOR RED HILL TANKS	
Tank #7 RECOMMENDED REPAIR DRAWING	
Repair No. : 019	File: 7R019
Upper Dome	Quadrant: C
Course: EXTENSION	Plate: 18
Drawn by: Tom Kitchen	Date: 5/4/98

Dames & Moore
Emergency Repairs For Red Hill Tanks at the Fleet Industrial & Supply Center
Contract No. N62742-96-C-1356

Repair Record

Tank No.: 7 Repair No.: 019 Type: 10 Location: C18-EXT



Sketch of Repair Area

Weld Repair

WPS No.: SM1.1-1

Welder ID: John Walsh

NDT Performed: Visual Vacuum Box Dye Penetrant

Rework Required: N/A

Repair Acceptable: John Zschell Date Accepted: 4-2-98

Coating Repair

Coating Type: Epoxy

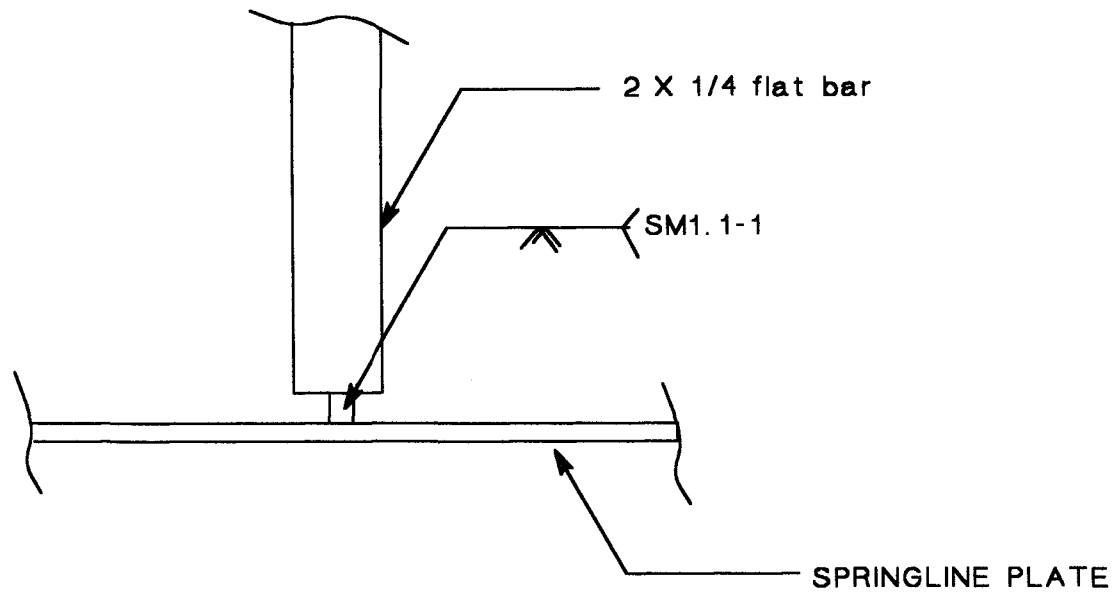
Surface Preparation: Primer Coat: Intermediate Coat: Final Coat:

NDT Performed: Visual: DFT: Average DFT: 8-15 mils

Rework Required: N/A

Repair Acceptable: John Zschell Date Accepted: 4-3-98

Inspected 3/27/98 by JF & TK



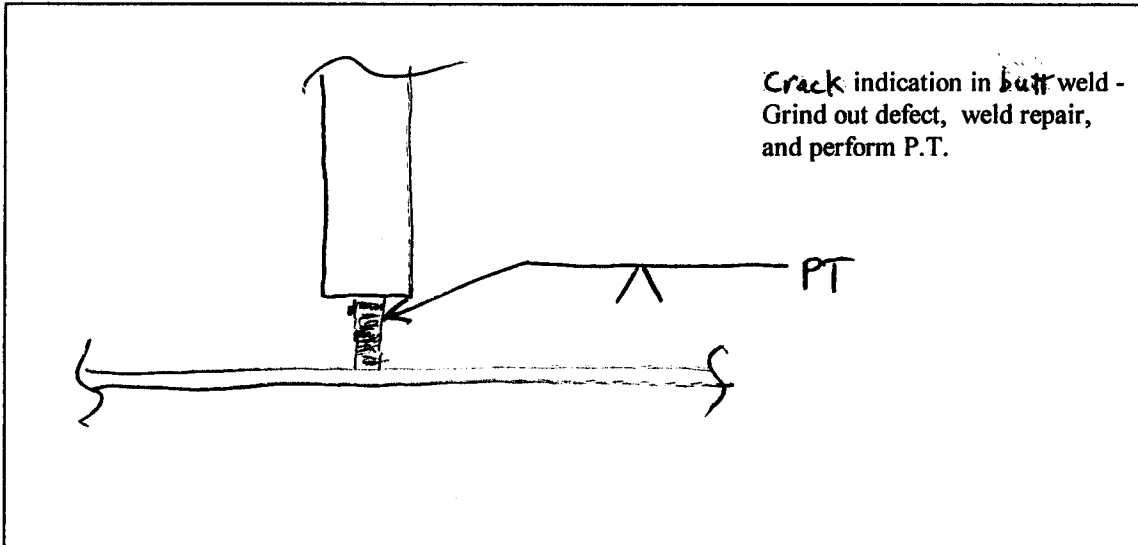
TYPE 10 REPAIR

MID ATLANTIC ENVIRONMENTAL	
EMERGENCY REPAIRS FOR RED HILL TANKS	
Tank #7 RECOMMENDED REPAIR DRAWING	
Repair No. : 020	File: 7R020
Upper Dome	Quadrant: C
Course: A	Plate: 18
Drawn by: Tom Klitcher	Date: 5/4/98

Dames & Moore
Emergency Repairs For Red Hill Tanks at the Fleet Industrial & Supply Center
Contract No. N62742-96-C-1356

Repair Record

Tank No.: 7 Repair No.: 020 Type: 9 Location: C10-A



Sketch of Repair Area

Weld Repair

WPS No.: SM1.1-1

Welder ID: John Walsh

NDT Performed: Visual Vacuum Box Dye Penetrant

Rework Required: N/A

Repair Acceptable: John Becknell Date Accepted: 4-2-98

Coating Repair

Coating Type: Epoxy

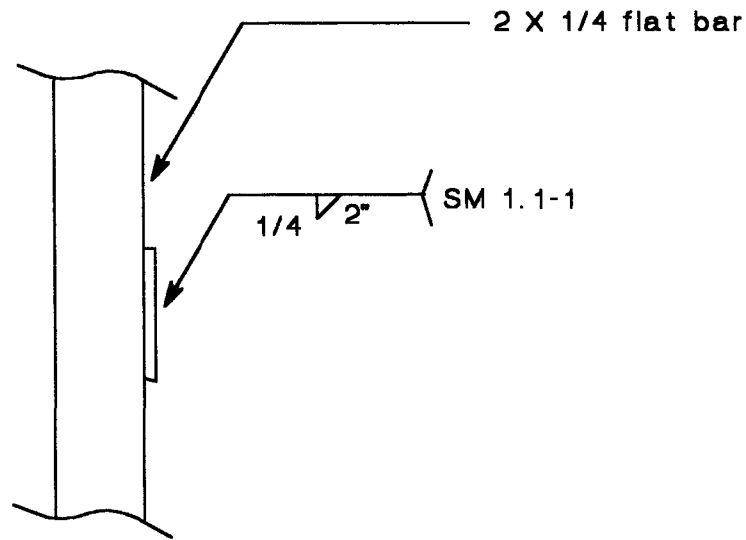
Surface Preparation: Primer Coat: Intermediate Coat: Final Coat:

NDT Performed: Visual: DFT: Average DFT: 8-15 mils

Rework Required: N/A

Repair Acceptable: John Becknell Date Accepted: 4-3-98

Inspected 3/27/98 by JF & TK



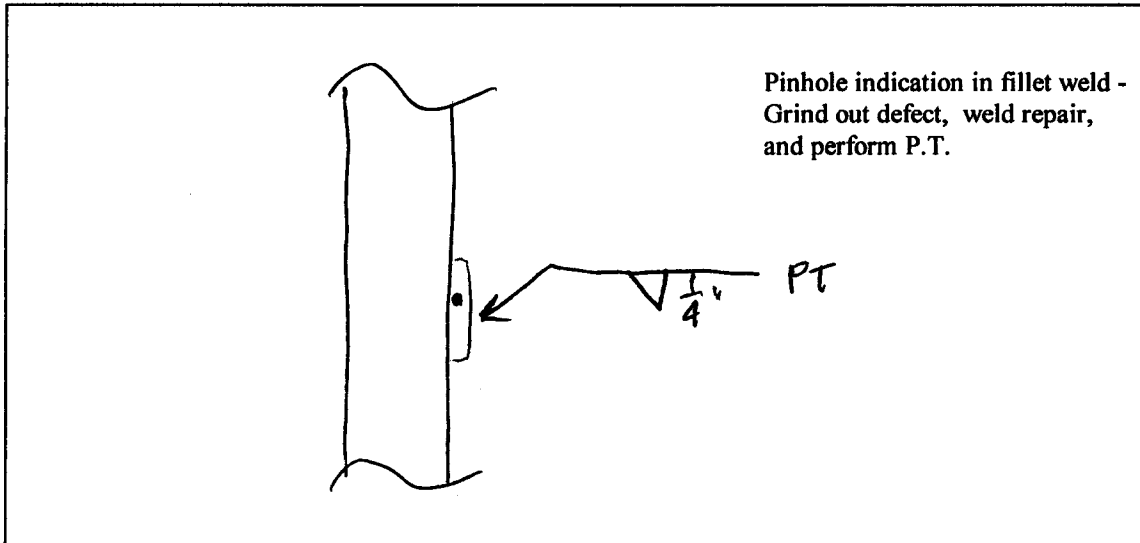
TYPE 10 REPAIR

MID ATLANTIC ENVIRONMENTAL	
EMERGENCY REPAIRS FOR RED HILL TANKS	
Tank #7 RECOMMENDED REPAIR DRAWINGS	
Repair No.: 021	File: 7R021
Upper Dome	Quadrant: C
Course: A	Plate: 1C
Drawn by: Tom Kitchen	Date: 5/4/98

Dames & Moore
Emergency Repairs For Red Hill Tanks at the Fleet Industrial & Supply Center
Contract No. N62742-96-C-1356

Repair Record

Tank No.: 7 Repair No.: 021 Type: 10 Location: C16-A



Sketch of Repair Area

Weld Repair

WPS No.: SM1.1-1

Welder ID: John Walsh

NDT Performed: Visual Vacuum Box Dye Penetrant

Rework Required: N/A

Repair Acceptable: John Zschell Date Accepted: 4-2-98

Coating Repair

Coating Type: Epoxy

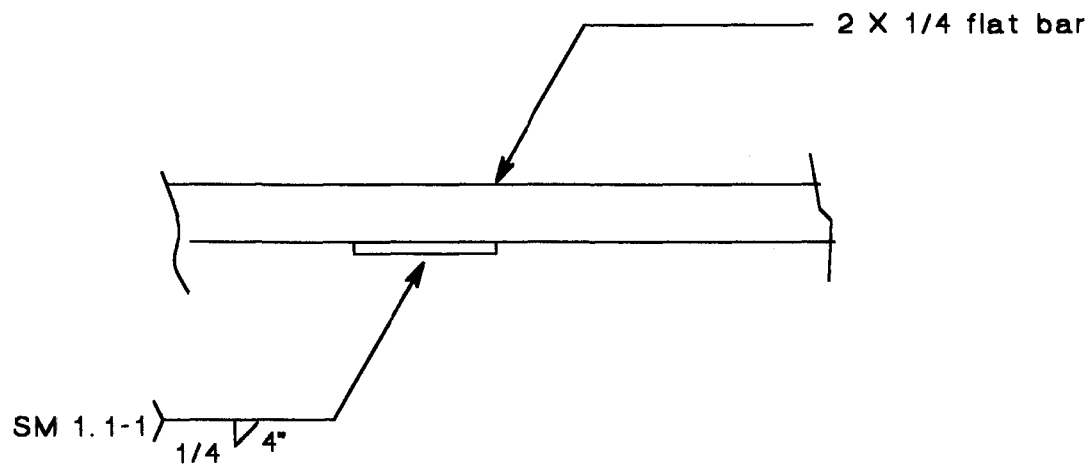
Surface Preparation: Primer Coat: Intermediate Coat: Final Coat:

NDT Performed: Visual: DFT: Average DFT: 8-15 mls

Rework Required: N/A

Repair Acceptable: John Zschell Date Accepted: 4-3-98

Inspected 3/27/98 by JF & TK



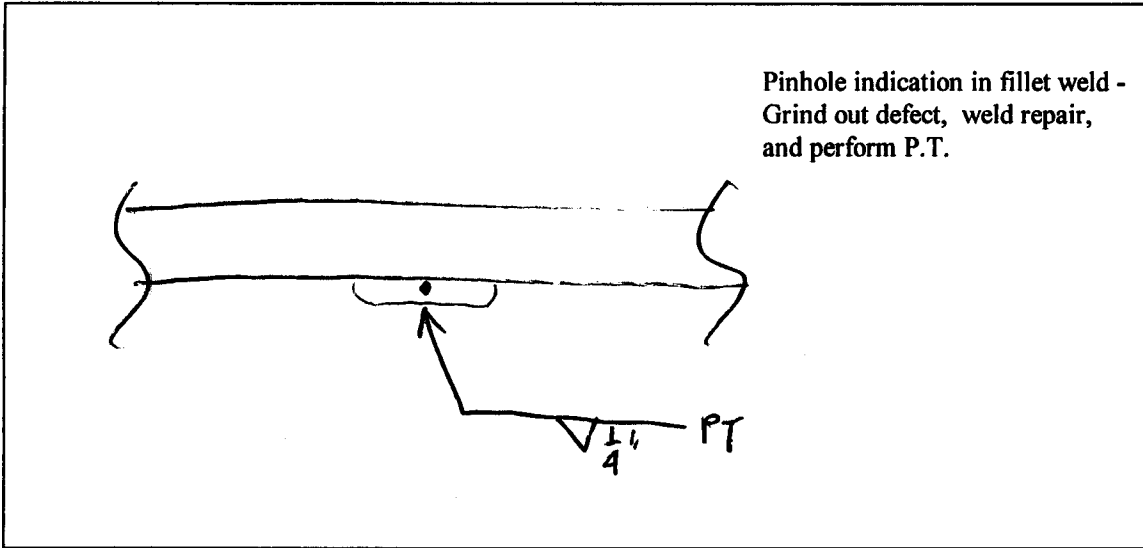
TYPE 10 REPAIR

MID ATLANTIC ENVIRONMENTAL	
EMERGENCY REPAIRS FOR RED HILL TANKS	
Tank #7 RECOMMENDED REPAIR DRAWING	
Repair No.: 022	File: 7R022
Upper Dome	Quadrant: C
Course: EXTENSION	Plate: 18
Drawn by: Tom Kitchen	Date: 5/4/98

Dames & Moore
Emergency Repairs For Red Hill Tanks at the Fleet Industrial & Supply Center
Contract No. N62742-96-C-1356

Repair Record

Tank No.: 7 Repair No.: 022 Type: 10 Location: C18 - EXT



Sketch of Repair Area

Weld Repair

WPS No.: SM1.1-1

Welder ID: John Walsh

NDT Performed: Visual Vacuum Box Dye Penetrant

Rework Required: N/A

Repair Acceptable: John Zschell

Date Accepted: 4-2-98

Coating Repair

Coating Type: Epoxy

Surface Preparation: Primer Coat: Intermediate Coat: Final Coat:

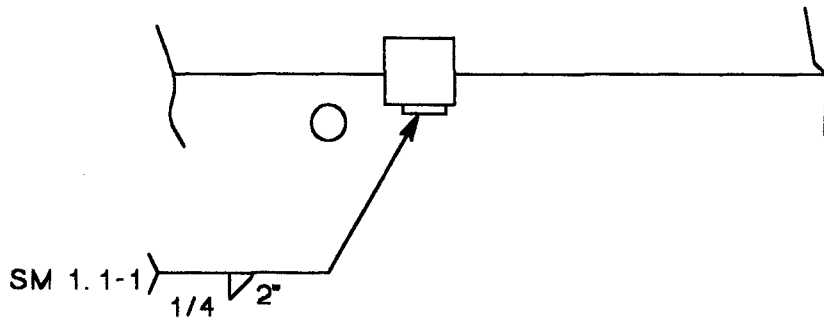
NDT Performed: Visual: DFT: Average DFT: 8-15 mils

Rework Required: N/A

Repair Acceptable: John Zschell

Date Accepted: 4-3-98

Inspected 3/27/98 by JF & TK



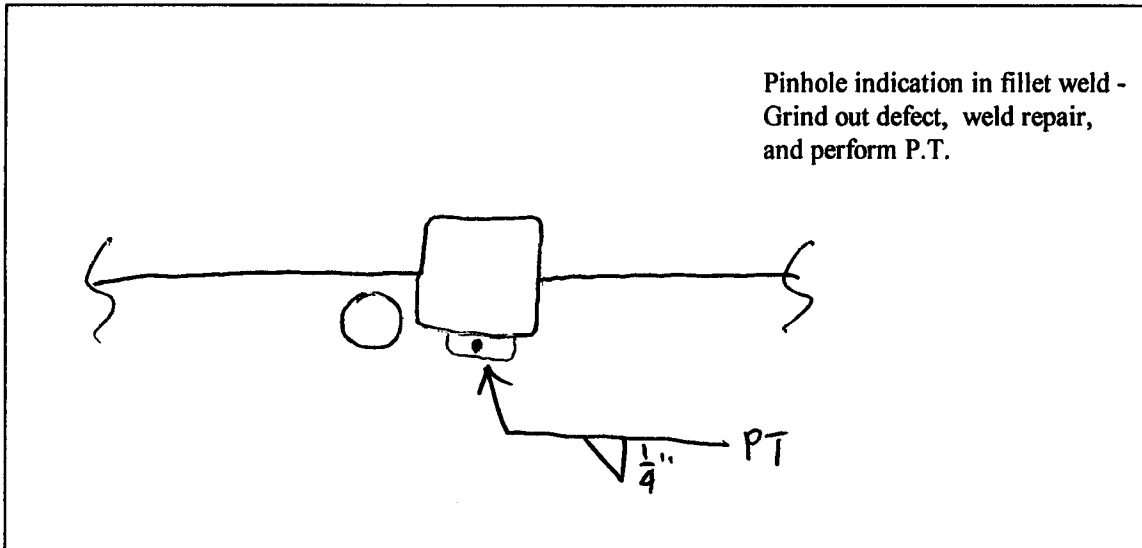
TYPE 10 REPAIR

MID ATLANTIC ENVIRONMENTAL	
EMERGENCY REPAIRS FOR RED HILL TANKS	
Tank #7 RECOMMENDED REPAIR DRAWING	
Repair No.: 023	File: 7R023
CYLINDER	Quadrant: D
Course: 6	Plate: 21
Drawn by: Tom Kitchen	Date: 5/4/98

Dames & Moore
Emergency Repairs For Red Hill Tanks at the Fleet Industrial & Supply Center
Contract No. N62742-96-C-1356

Repair Record

Tank No.: 7 Repair No.: 023 Type: 10 Location: D21-06



Sketch of Repair Area

Weld Repair

WPS No.: SM1.1-1

Welder ID: John Walsh

NDT Performed: Visual Vacuum Box Dye Penetrant

Rework Required: N/A

Repair Acceptable: John Zschell

Date Accepted: 4-2-98

Coating Repair

Coating Type: Epoxy

Surface Preparation: Primer Coat: Intermediate Coat: Final Coat:

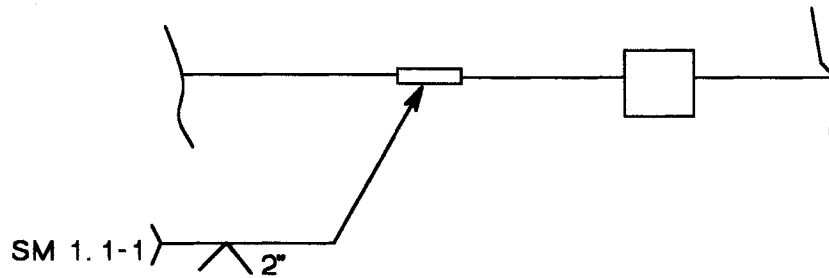
NDT Performed: Visual: DFT: Average DFT: 8-15 mils

Rework Required: N/A

Repair Acceptable: John Zschell

Date Accepted: 4-3-98

Inspected 3/27/98 by JF & TK



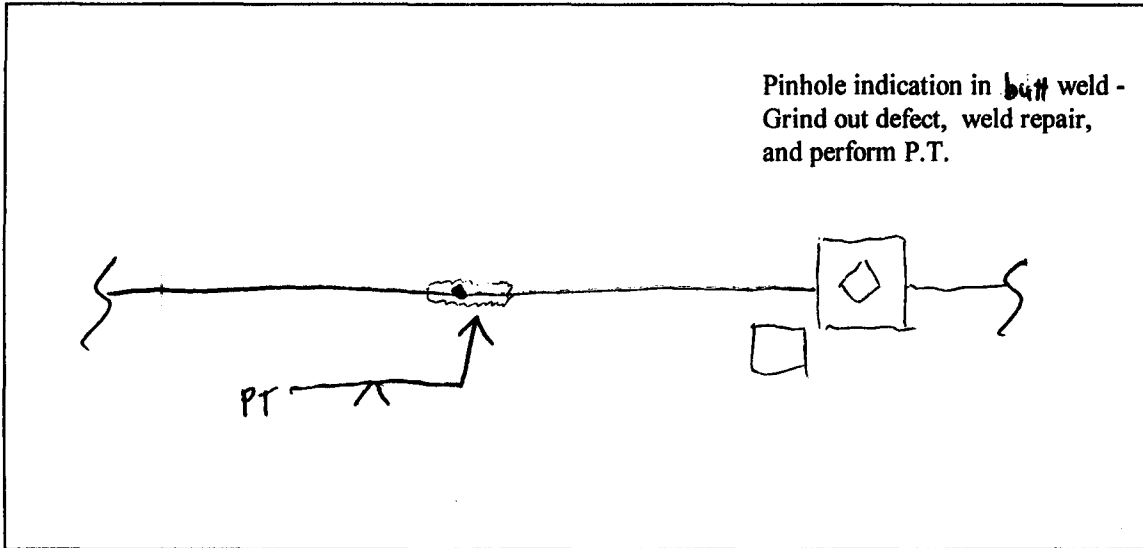
TYPE 9 REPAIR

MID ATLANTIC ENVIRONMENTAL	
EMERGENCY REPAIRS FOR RED HILL TANKS	
Tank #7 RECOMMENDED REPAIR DRAWING	
Repair No.: 024	File: 7R024
CYLINDER	Quadrant: C
Course: 10	Plate: 12
Drawn by: Tom Klitcher	Date: 5/4/98

Dames & Moore
Emergency Repairs For Red Hill Tanks at the Fleet Industrial & Supply Center
Contract No. N62742-96-C-1356

Repair Record

Tank No.: 7 Repair No.: 024 Type: 90 Location: D12-10



Sketch of Repair Area

Weld Repair

WPS No.: SM1.1-1

Welder ID: John Walsh

NDT Performed: Visual Vacuum Box Dye Penetrant

Rework Required: N/A

Repair Acceptable: John Zarell Date Accepted: 4-2-98

Coating Repair

Coating Type: Epoxy

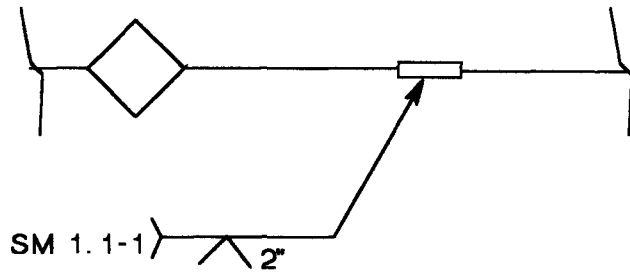
Surface Preparation: Primer Coat: Intermediate Coat: Final Coat:

NDT Performed: Visual: DFT: Average DFT: 8-15 mils

Rework Required: N/A

Repair Acceptable: John Zarell Date Accepted: 4-3-98

Inspected 3/27/98 by JF & TK



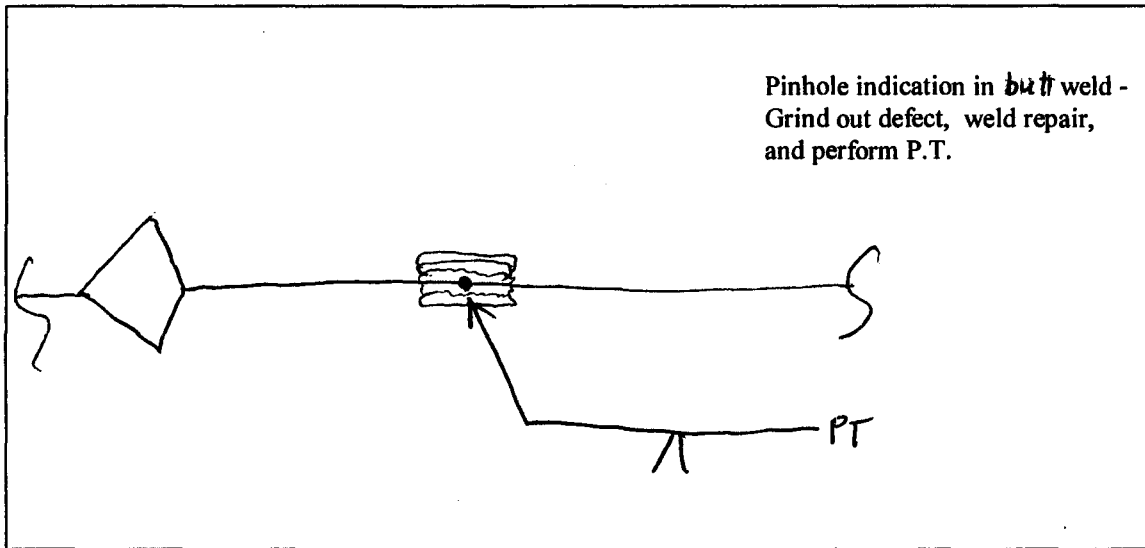
TYPE 9 REPAIR

MID ATLANTIC ENVIRONMENTAL	
EMERGENCY REPAIRS FOR RED HILL TANKS	
Tank #7 RECOMMENDED REPAIR DRAWING	
Repair No.: 025	File: 7R025
CYLINDER	Quadrant: D
Course: 13	Plate: 21
Drawn by: Tom Klitcher	Date: 5/4/98

Dames & Moore
Emergency Repairs For Red Hill Tanks at the Fleet Industrial & Supply Center
Contract No. N62742-96-C-1356

Repair Record

Tank No.: 7 Repair No.: 025 Type: 9 Location: D21-13



Sketch of Repair Area

Weld Repair

WPS No.: SM1.1-1

Welder ID: John Walsh

NDT Performed: Visual Vacuum Box Dye Penetrant

Rework Required: N/A

Repair Acceptable: John Zschell Date Accepted: 4-2-98

Coating Repair

Coating Type: Epoxy

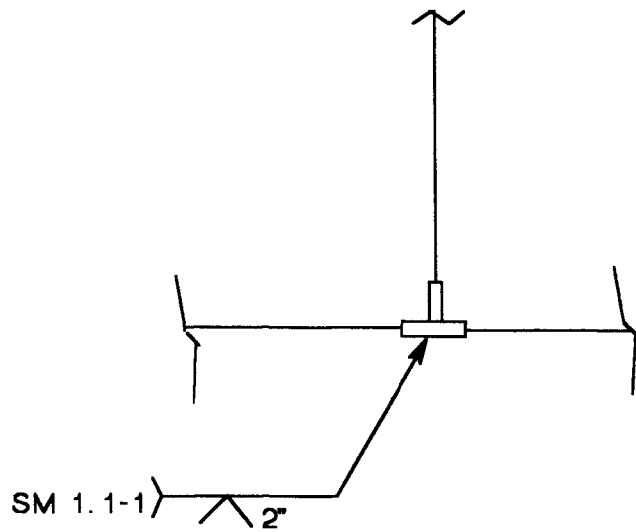
Surface Preparation: Primer Coat: Intermediate Coat: Final Coat:

NDT Performed: Visual: DFT: Average DFT: 8-15 mils

Rework Required: N/A

Repair Acceptable: John Zschell Date Accepted: 4-3-98

Inspected 3/27/98 by JF & TK



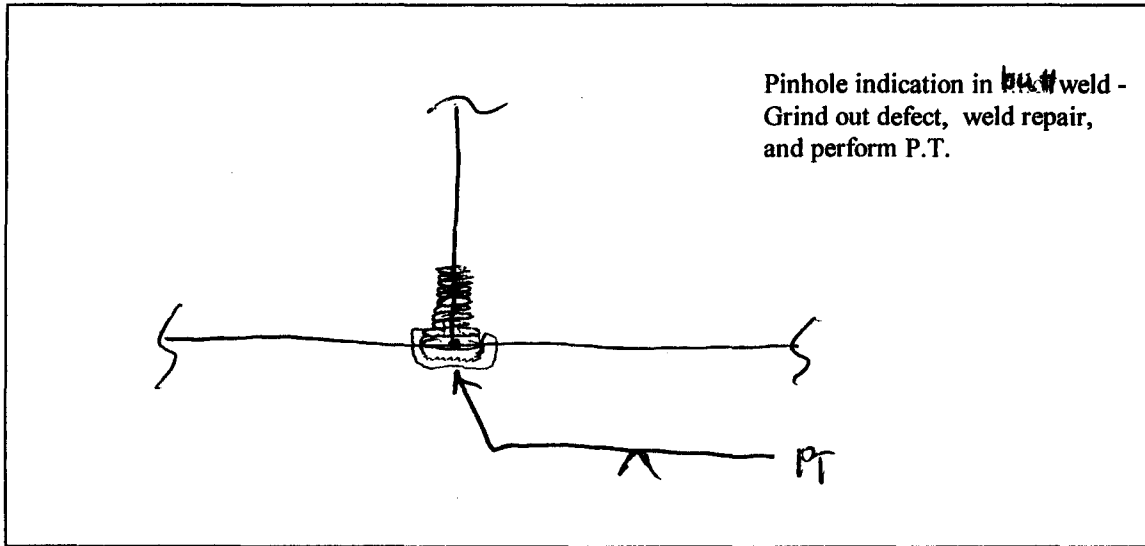
TYPE 9 REPAIR

MID ATLANTIC ENVIRONMENTAL	
EMERGENCY REPAIRS FOR RED HILL TANKS	
Tank #7 RECOMMENDED REPAIR DRAWING	
Repair No.: 026	File: 7R026
CYLINDER	Quadrant: D
Course: 13	Plate: 21
Drawn by: Tom Kitchen	Date: 5/4/98

Dames & Moore
Emergency Repairs For Red Hill Tanks at the Fleet Industrial & Supply Center
Contract No. N62742-96-C-1356

Repair Record

Tank No.: 7 Repair No.: 026 Type: 9 Location: D21-13



Sketch of Repair Area

Weld Repair

WPS No.: SM1.1-1

Welder ID: John Walsh

NDT Performed: Visual Vacuum Box Dye Penetrant

Rework Required: N/A

Repair Acceptable: John Zedell Date Accepted: 4-2-98

Coating Repair

Coating Type: Epoxy

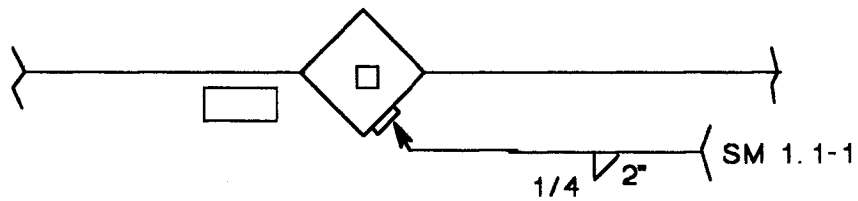
Surface Preparation: Primer Coat: Intermediate Coat: Final Coat:

NDT Performed: Visual: DFT: Average DFT: 8-15 mils

Rework Required: N/A

Repair Acceptable: John Zedell Date Accepted: 4-3-98

Inspected 3/27/98 by JF & TK



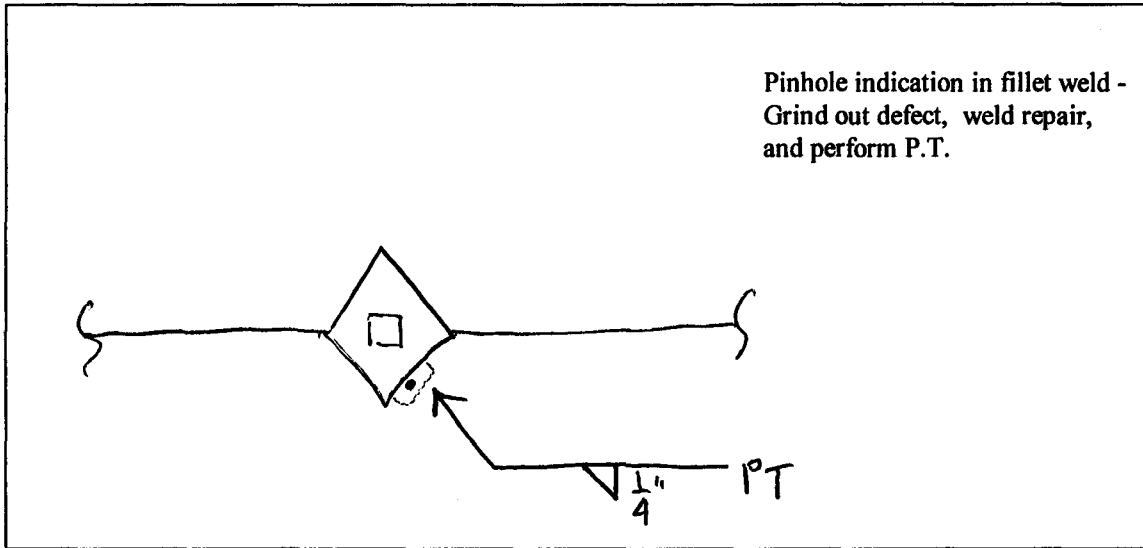
TYPE 10 REPAIR

MID ATLANTIC ENVIRONMENTAL	
EMERGENCY REPAIRS FOR RED HILL TANKS	
Tank #7 RECOMMENDED REPAIR DRAWINGS	
Repair No.: 027	File: 7R027
CYLINDER	Quadrant: D
Course: 13	Plate: 21
Drawn by: Tom Kitchen	Date: 5/4/98

Dames & Moore
Emergency Repairs For Red Hill Tanks at the Fleet Industrial & Supply Center
Contract No. N62742-96-C-1356

Repair Record

Tank No.: 7 Repair No.: 027 Type: 10 Location: D21-13



Sketch of Repair Area

Weld Repair

WPS No.: SM1.1-1

Welder ID: John Walsh

NDT Performed: Visual Vacuum Box Dye Penetrant

Rework Required: N/A

Repair Acceptable: John Zadrill

Date Accepted: 4-2-98

Coating Repair

Coating Type: Epoxy

Surface Preparation: Primer Coat: Intermediate Coat: Final Coat:

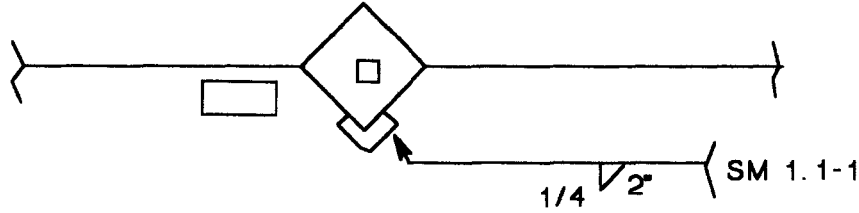
NDT Performed: Visual: DFT: Average DFT: 8-15 mils

Rework Required: N/A

Repair Acceptable: John Zadrill

Date Accepted: 4-3-98

Inspected 3/27/98 by JF & TK



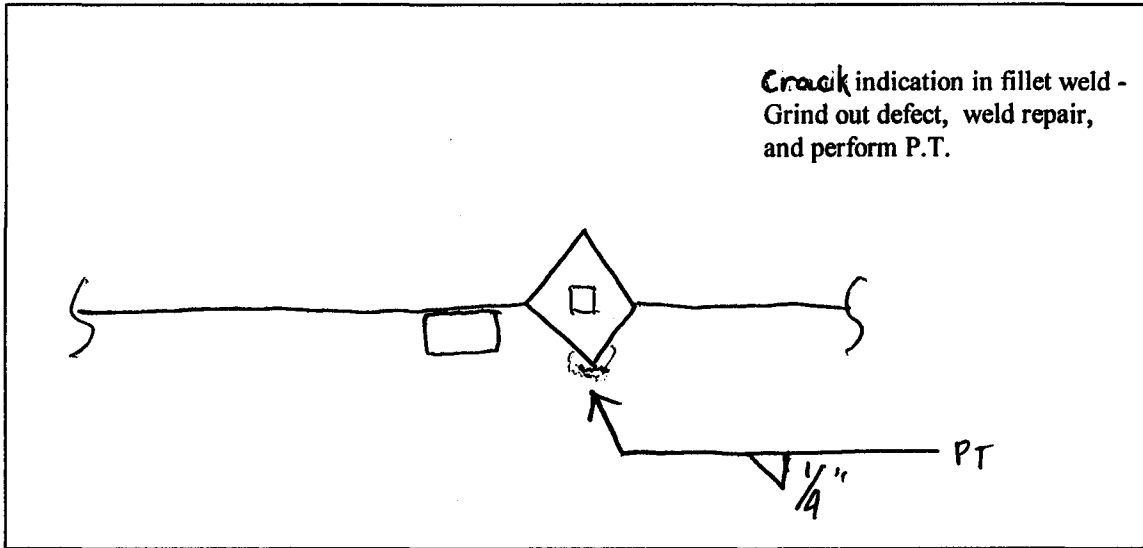
TYPE 10 REPAIR

MID ATLANTIC ENVIRONMENTAL	
EMERGENCY REPAIRS FOR RED HILL TANKS	
Tank #7 RECOMMENDED REPAIR DRAWINGS	
Repair No.: 028	File: 7R028
CYLINDER	Quadrant: D
Course: 16	Plate: 21
Drawn by: Tom Kitchen	Date: 5/4/98

Dames & Moore
Emergency Repairs For Red Hill Tanks at the Fleet Industrial & Supply Center
Contract No. N62742-96-C-1356

Repair Record

Tank No.: 7 Repair No.: 028 Type: 10 Location: D21-16



Sketch of Repair Area

Weld Repair

WPS No.: SM1.1-1

Welder ID: John Walsh

NDT Performed: Visual Vacuum Box Dye Penetrant

Rework Required: N/A

Repair Acceptable: John Zerkell Date Accepted: 4-2-98

Coating Repair

Coating Type: Epoxy

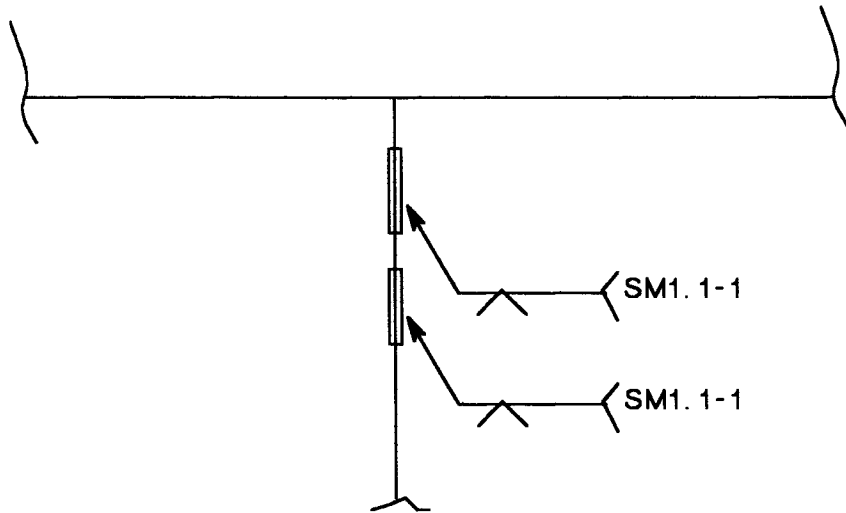
Surface Preparation: Primer Coat: Intermediate Coat: Final Coat:

NDT Performed: Visual: DFT: Average DFT: 8-15 mils

Rework Required: N/A

Repair Acceptable: John Zerkell Date Accepted: 4-3-98

Inspected 3/27/98 by JF & TK



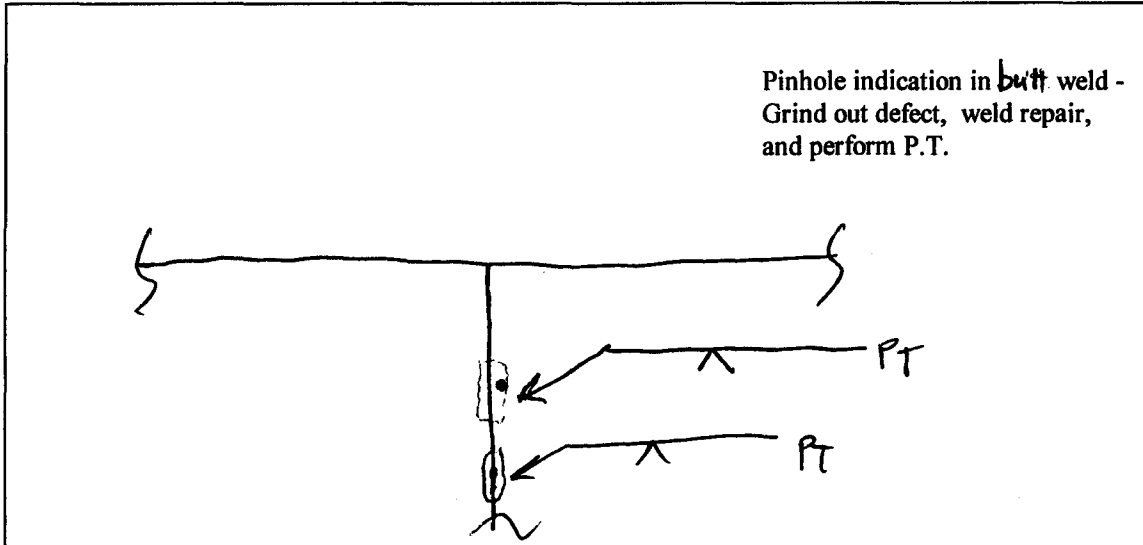
TYPE 10 REPAIR

MID ATLANTIC ENVIRONMENTAL	
EMERGENCY REPAIRS FOR RED HILL TANKS	
Tank #7 RECOMMENDED REPAIR DRAWING	
Repair No.: 029	File: 7R029
CYLINDER	Quadrant: D
Course: 14	Plate: 22
Drawn by: Tom Klitcher	Date: 5/4/98

Dames & Moore
Emergency Repairs For Red Hill Tanks at the Fleet Industrial & Supply Center
Contract No. N62742-96-C-1356

Repair Record

Tank No.: 7 Repair No.: 029 Type: 90 Location: C 14-22



Sketch of Repair Area

Weld Repair

WPS No.: SM1.1-1

Welder ID: John Walsh

NDT Performed: Visual Vacuum Box Dye Penetrant

Rework Required: N/A

Repair Acceptable: John Zschell Date Accepted: 4-2-98

Coating Repair

Coating Type: Epoxy

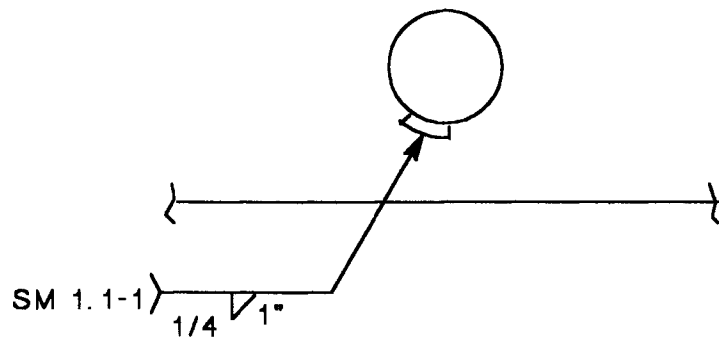
Surface Preparation: Primer Coat: Intermediate Coat: Final Coat:

NDT Performed: Visual: DFT: Average DFT: 8-15 m.l.s

Rework Required: N/A

Repair Acceptable: John Zschell Date Accepted: 4-3-98

Inspected 3/27/98 by JF & TK



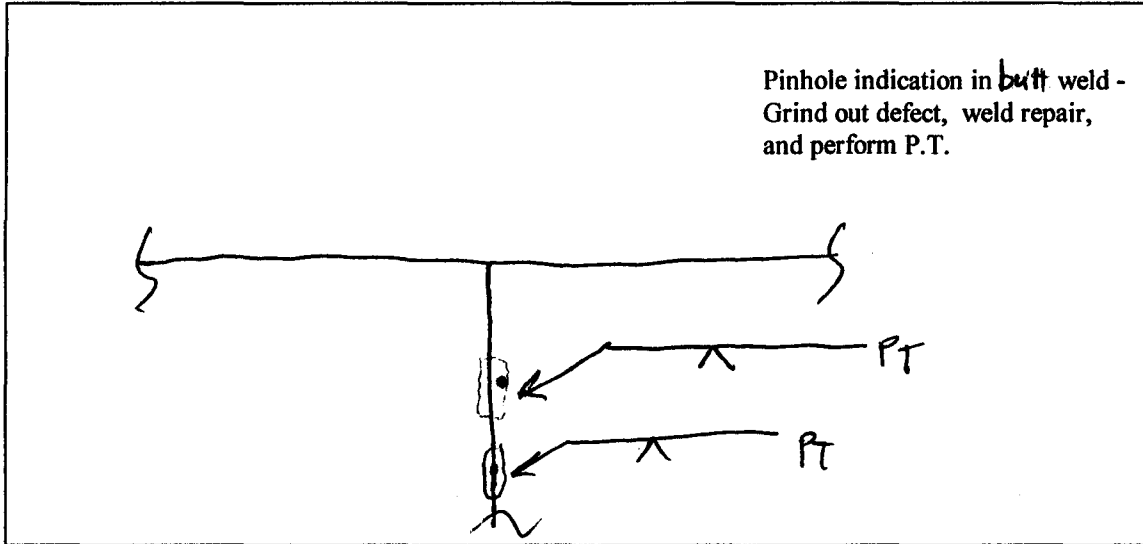
TYPE 10 REPAIR

MID ATLANTIC ENVIRONMENTAL	
EMERGENCY REPAIRS FOR RED HILL TANKS	
Tank #7 RECOMMENDED REPAIR DRAWING	
Repair No.: 030	File: 7R030
cylinder	Quadrant: C
Course: 25	Plate: 15
Drawn by: Tom Klitcher	Date: 5/4/98

Dames & Moore
Emergency Repairs For Red Hill Tanks at the Fleet Industrial & Supply Center
Contract No. N62742-96-C-1356

Repair Record

Tank No.: 7 Repair No.: 029 Type: 90 Location: C 19-22



Sketch of Repair Area

Weld Repair

WPS No.: SM1.1-1

Welder ID: John Walsh

NDT Performed: Visual Vacuum Box Dye Penetrant

Rework Required: N/A

Repair Acceptable: John Zschell Date Accepted: 4-2-98

Coating Repair

Coating Type: Epoxy

Surface Preparation: Primer Coat: Intermediate Coat: Final Coat:

NDT Performed: Visual: DFT: Average DFT: 8-15 m/s

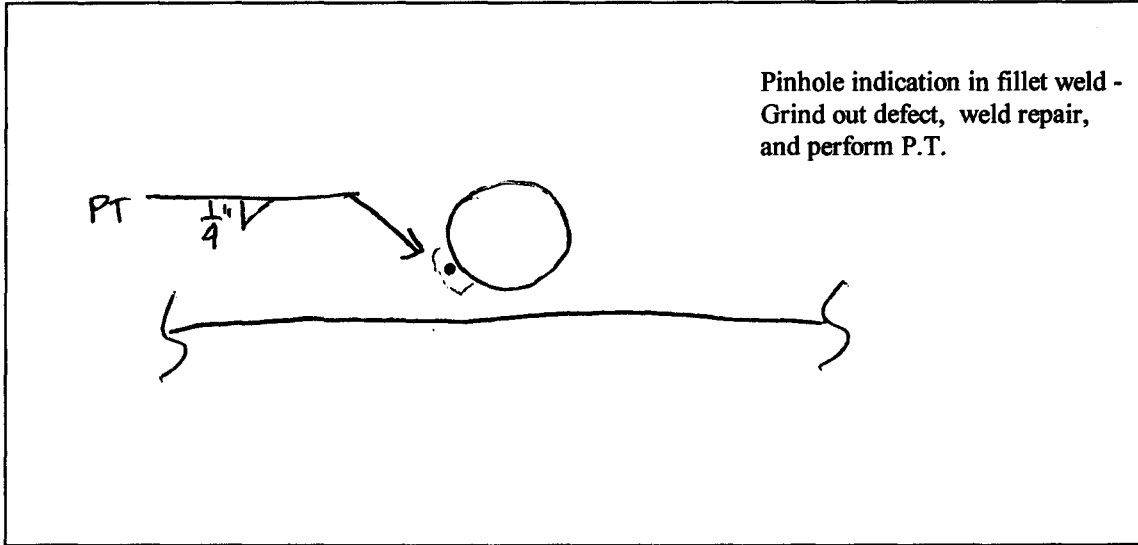
Rework Required: N/A

Repair Acceptable: John Zschell Date Accepted: 4-3-98

Dames & Moore
Emergency Repairs For Red Hill Tanks at the Fleet Industrial & Supply Center
Contract No. N62742-96-C-1356

Repair Record

Tank No.: 7 Repair No.: 030 Type: 10 Location: C:15 - 25



Sketch of Repair Area

Weld Repair

WPS No.: SM1.1-1

Welder ID: John Walsh

NDT Performed: Visual Vacuum Box Dye Penetrant

Rework Required: N/A

Repair Acceptable: John Zarell

Date Accepted: 4-2-98

Coating Repair

Coating Type: Epoxy

Surface Preparation: Primer Coat: Intermediate Coat: Final Coat:

NDT Performed: Visual: DFT: Average DFT: 8-15 m.l.s

Rework Required: N/A

Repair Acceptable: John Zarell

Date Accepted: 4-3-98